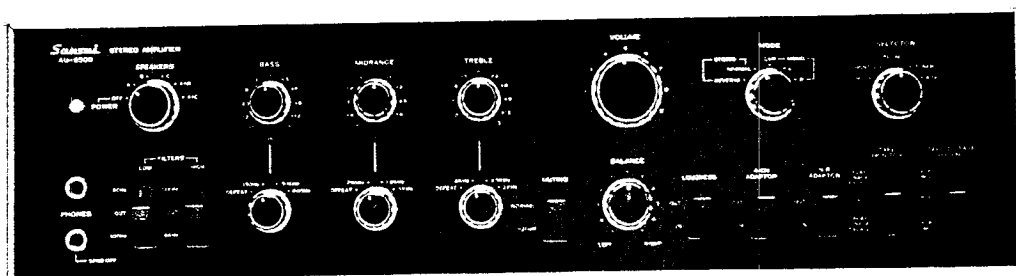


OPERATING INSTRUCTIONS & SERVICE MANUAL

STEREO AMPLIFIER

SANSUI AU-9500



For Service Manuals Contact
MAURITRON TECHNICAL SERVICES
8 Cherry Tree Rd, Chinnor
Oxon OX9 4QY
Tel:- 01844-351694 Fax:- 01844-352554
Email:- enquiries@mauritron.co.uk

Sansui

SANSUI ELECTRIC CO., LTD.

We are grateful for your choice of the AU-9500 Integrated Amplifier.

For over a quarter of a century, Sansui has been building hi-fi audio equipment, and nothing else. Our mission is very old and at once ever new to us: to bring the reproduced sound closer and closer to the original.

The AU-9500 now in your hands is one answer from us to this never-ending quest. It is a product of the cream of highly advanced modern audio-electronics knowhow, coupled with our long experience. As such, we present it to you with our full confidence.

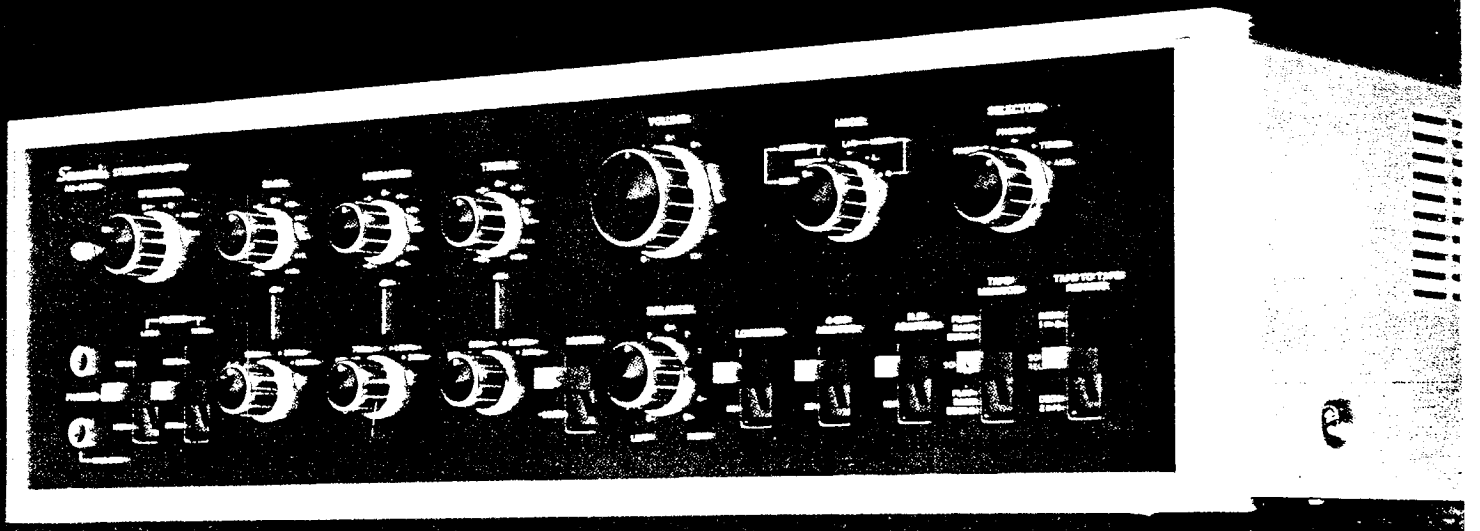
The AU-9500 incorporates an all-stage direct-coupled pure complementary power amplifier that delivers a continuous power output of 85 watts per channel (each channel driven) into 8 ohms, with the total harmonic distortion of less than 0.1% over the entire audio spectrum. It connects three pairs of speaker systems, two turntables and two tape decks, while offering such sophisticated refinements as triple tone controls with adjustable turn-over/roll-off frequencies, inputs for a 4-channel adaptor and a noise reduction adaptor, preamplifier outputs and power amplifier inputs, tape-to-tape reprint facilities, and an audio muting switch.

This manual has been prepared to guide you in operating and caring for the amplifier correctly, so that you will obtain the most out of its built-in high performance and exceptional versatility.

May we suggest that you read it once carefully?

CONTENTS

SWITCHES AND CONTROLS	3, 4, 5, 6
CONNECTING SPEAKER SYSTEMS/ PLAYING RECORDS	7, 8
RADIO RECEPTION/USING MICROPHONES	9
QUICK CHECK LIST OF SIMPLE MISTAKES.....	10
RECORDING AND PLAYBACK BY TAPE DECKS.....	11, 12
UPGRADING YOUR STEREO (4-CHANNEL STEREO SYSTEM/ELECTRONIC CROSSOVER SYSTEM).....	13
SIMPLE MAINTENANCE HINTS	14, 15
SPECIFICATIONS	16
SCHEMATIC DIAGRAM	17, 18
GENERAL TROUBLESHOOTING CHART	19
DISASSEMBLY PROCEDURE	20
ALIGNMENT	21, 22
PRINTED CIRCUIT BOARDS AND PARTS LIST	23 ~ 32
OTHER PARTS AND THEIR POSITION ON CHASSIS ...	33, 34



For Service Manuals Contact
MAURITRON TECHNICAL SERVICES
8 Cherry Tree Rd, Chinnor
Oxon OX9 4QY
Tel:- 01844-351694 Fax:- 01844-352554
Email:- enquiries@mauritron.co.uk

SWITCHES AND CONTROLS

Power Indicator

Lights when you turn on the Power/Speakers Switch, and remains lit until you turn off the switch.

Power / Speakers Switch

Controls both the power supply and selection of speaker systems.

POWER OFF: Cuts off power supply for the amplifier.

A: Turns on power supply and energizes the speaker systems connected to SYSTEM-A speaker terminals on the rear. Because of the built-in amplifier/speaker protection circuit, sound will come out with a delay of a few seconds.

B, C: Energizes speaker systems connected to SYSTEM-B or C speaker terminals.
A+B, A+C: Energizes both A and B pairs, or both A and C pairs of speaker systems.

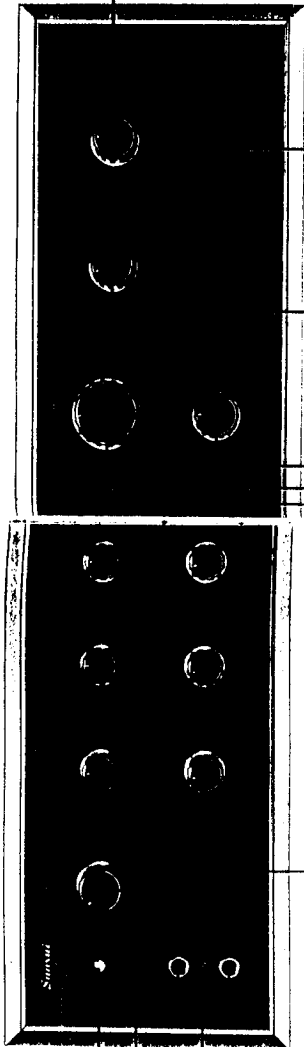
Headphone Jacks

Accommodate two stereo headphone sets for monitoring or private listening. The upper jack lets you hear reproduced sound both from the speaker systems and headphone set. The lower one cuts off the sound from speaker systems for private listening with headphones only.

Filters

Low: Set this switch to 50Hz or 100Hz to eliminate low frequency noise such as the rumbling of your turntable motor. If no such noise is present, be sure to keep it off.

High: Set this switch to 12kHz or 6kHz to eliminate high frequency noise such as the surface noise from a worn record or as the fluorescent lamp noise mixed in radio broadcasts.



Volume Control

Turn clockwise to increase the sound volume.

Muting Switch

Reduces the sound volume by 20dB at once without the use of the Volume Control. Most convenient to lower the sound volume temporarily when the telephone rings, to avoid the noise of the pickup stylus descending on a record, etc.

Mode Switch

STEREO: The NORMAL position is normal. If you have connected the left and right speaker systems in reverse, set this switch to REVERSE to restore the normal stereo effect without physically changing the speaker connections.

MONO: Set to L+R, and the monophonic mixture of the left and right channel signals is heard from both speaker systems. Set to L(R), and only the left(right) channel signal is heard from both speaker systems.

Balance Control

Set the Mode Switch to MONO L+R once and adjust this control for equal sound volume from the left and right speaker systems, then return the switch to STEREO NORMAL. If there is a large difference in the sound volumes from the two speaker systems even with this control set near the center, it may be because the left and right output signal levels from the program source component (turntable, tuner, tape deck, etc.) are different. Check the component once.

Selector Control

Turn to an appropriate position to hear the desired program source.
MIC: To use microphones plugged into the MIC terminals.

PHONO-2, PHONO-1: To play records on a turntable connected to the PHONO 2 or 1 terminals on the rear. The input impedance of the PHONO-2 circuit is adjustable with the rear-panel Pickup Load Switch to match the load impedance of the cartridge in use.

TUNER: To hear a radio broadcast from a tuner connected to the TUNER terminals on the rear.

AUX: To reproduce whatever program source is connected to the AUX terminals on the rear. If necessary, adjust the input level with the AUX Level Adj. Control. (Connect a turntable with a crystal or ceramic cartridge, the audio outputs of a television, the playback outputs of a tape player; etc. to the AUX terminals.)

Tape Monitor Switch

Use this switch to reproduce a recorded tape or to monitor your recording.

Set the switch to PLAYBACK DECK-1 or DECK-2, depending on which circuit is being used to connect your tape deck (or if you have two tape decks connected, which one you are using). If you have connected tape deck(s) and/or other program source component(s) to the amplifier and wish to use them alternately, it is advisable to match their signal levels by adjusting the Level Adj. Controls on the rear panel, unless the tape deck(s) itself has an output level control. Monitoring of recording is possible only on a tape deck having separate record and play heads. If you wish to use three tape decks, the third tape deck may be connected to the 4-CH ADAPTOR terminals.

SWITCHES AND CONTROLS

Treble Tone Control

Use to control the intensity of high-frequency (treble) sound. Turning it clockwise from the 0 (zero) position accents it by 3dB per click step, while turning it counterclockwise weakens it by the same proportion.

Midrange Tone Control

Use to control the intensity of middle-frequency (midrange) sound. Turning it clockwise from the 0 (zero) position emphasizes it by 1dB per click step, while turning it counterclockwise de-emphasizes it by the same proportion.

Bass Tone Control

Use in the same manner as the Treble Tone Control to adjust the intensity of low-frequency (bass) sound by 3dB per click step.

Bass Tone Selector

Lets the operator select the frequency below which the Bass Tone Control functions:
DEFEAT: Disables the Bass Tone Control circuit, enabling the amplifier to amplify the low-frequency signals just as they exist in the program source.

- 150Hz: Bass Tone Control will affect the sound below 150Hz.
- 300Hz: Bass Tone Control will affect the sound below 300Hz.
- 600Hz: Bass Tone Control will affect the sound below 600Hz.

Midrange Tone Selector

Lets the operator select the frequency around which the Midrange Tone Control functions:
DEFEAT: Disables the Midrange Tone Control circuit, enabling the amplifier to amplify the middle-frequency signals just as they exist in the program source.

- 750Hz: Midrange Tone Control will affect the sound around 750Hz.
- 1.5kHz: Midrange Tone Control will affect the sound around 1.5kHz.
- 3kHz: Midrange Tone Control will affect the sound around 3kHz.

Treble Tone Selector

Lets the operator select the frequency above which the Treble Tone Control functions:
DEFEAT: Disables the Treble Tone Control, enabling the amplifier to amplify the high-frequency signals just as they exist in the program source.

- 6kHz: Treble Tone Control will affect the sound above 6kHz.
- 3.5kHz: Treble Tone Control will affect the sound above 3.5kHz.
- 2kHz: Treble Tone Control will affect the sound above 2kHz.

Loudness Switch

If desired, push down to IN to emphasize the highs and lows when listening at low volume levels. This is because the mechanism of human hearing is such that the high and low notes seem greatly enfeebled at low listening levels.

Noise Reduction Adaptor Switch

If you connect a noise reduction adaptor to the AU-9500 for the purpose of reducing various types of noise commonly generated during tape recording or playback, push this switch down to IN (refer to pages 11, 12).

4-Channel Adaptor Switch

If you connect a 4-channel adaptor to the AU-9500 and make other necessary connections, you can upgrade this 2-channel stereo amplifier to hear 4-channel stereo sound by pushing this switch down to IN (refer to page 13).

Tape-to-Tape Reprint Switch

If you have two tape decks connected to the amplifier, you can copy a recorded tape from one to the other.

DECK 1 ▶ 2: To record from the tape deck connected to the TAPE DECK-1 terminals to the one connected to the TAPE DECK-2 terminals.

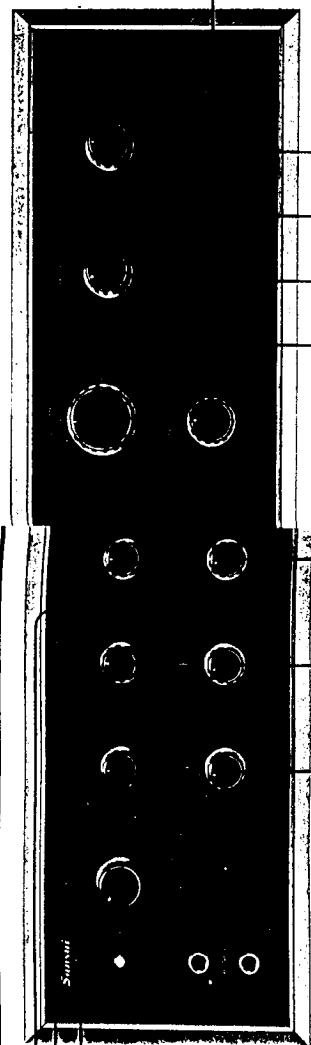
DECK 2 ▶ 1: Reverse of the above.

SOURCE RECORD: To record or play on one tape deck alone. When neither of the above procedures is desired, keep the switch in this position.

* During the copying procedure, monitoring is possible on either recording or playback side by setting the Tape Monitor Switch to the PLAY-BACK DECK-1 or DECK-2 position. When the Tape Monitor Switch is turned to the SOURCE position, it is possible to enjoy other functions of the amplifier—such as playing records or receiving a radio broadcast—while the copying continues.

Tape Monitor Switch

Use this switch to reproduce a recorded tape or to monitor your recording. See page 4.



CONNECTING SPEAKER SYSTEMS / PLAYING RECORDS

Connecting Speaker Systems

If you are connecting **only one pair of speaker systems** to the AU-9500, they may have any impedance from 4 to 16 ohms. Connect them to the SYSTEM A, B or C terminals on the rear panel, making sure not to confuse the left and right cables, plus and minus leads on the amplifier and speaker ends. But if you wish to connect **two pairs of speaker systems** and drive them simultaneously by turning the Power/Speakers Switch to A+B or A+C, each speaker system should have an impedance of 8 to 16 ohms. Using a system with a lower impedance could result in a breakdown of the amplifier.

Phasing of Speakers

First listen to the monophonic reproduction of any program source. If the speaker systems are in phase, the sound will seem to come from a point midway between the left and right speaker systems. If the sound is not directly in front of you, however, the speaker systems are out of phase. If you notice this condition, check the speaker connections once. To correct the condition, switch the amplifier off and reverse the connection of plus and minus leadwires of one speaker cable.

Connecting a Turntable

Connect it to the PHONO 1 or 2 terminals on the rear. For best results, use a turntable with a magnetic pickup cartridge.

If you use a turntable with a crystal or ceramic cartridge, connect it to the AUX terminals.

Phono-2 Pickup Load Switch

The input impedance of the PHONO-2 circuit can be switched over from 30k Ω to 50k Ω to 100k Ω with the PHONO-2 Pickup Load Switch on the rear panel. Its purpose is to match the load resistance of the cartridge in use, since different cartridges have different load resistance values and the magnitude of the impedance of a phono input circuit affects the level of high-frequency sound among other things.

Most cartridges have a load resistance value of 50k Ω , which is why the input impedance of the PHONO-1 circuit is also 50k Ω . If you have connected your turntable to the PHONO-2 circuit and find little difference in the reproduced tone quality as you change over the PHONO-2 Pickup Load Switch, leave the switch at the 50k Ω position.

Playing Records

1. Set the Selector Control to PHONO-1 or PHONO-2, depending on which input circuit you are using.
2. Set the Power/Speakers Switch to as required.
3. Switch on the turntable, adjusting it for the right speed of the record to be played.
4. Start playing the record.
5. Use the amplifier's other controls and switches to suit your taste or room acoustics.

For Service Manuals Contact
MAURITRON TECHNICAL SERVICES
8 Cherry Tree Rd, Chinnor
Oxon OX9 4QY
Tel: 01844-351694 Fax: 01844-352554
Email: enquiries@mauritron.co.uk

RADIO RECEPTION / USING MICROPHONES

Connecting a Tuner

Connect a tuner to the TUNER terminals on the rear panel, utilizing shielded cables with pin plugs. If the tuner has no output level control of its own, it is more convenient to connect it to the AUX terminals instead. Since an input level adjustor (indicated as AUX LEVEL ADJ) is provided for the AUX input circuit, this will make it possible to match the tuner input level with those of other program source components, saving you the trouble of adjusting the volume each time you change the Selector Control over.

Microphones

It is recommended to use a high-impedance (10kΩ — 50kΩ) microphone, although a low-impedance one (600Ω) will be more effective if you wish to use it several meters away from the amplifier. If using a low-impedance one with a small output (such as a dynamic type low-impedance microphone), you'll need a matching transformer between the microphone cord and the amplifier's microphone terminal.

Howling

Loud oscillating noise may be heard from your speaker systems when using a microphone. This is a phenomenon called howling, and happens because the sound from your speakers is fed back to the microphone and amplified again, repeating the process infinitely. It is more likely to take place in an acoustically reflective room, especially if you raise the sound volume.

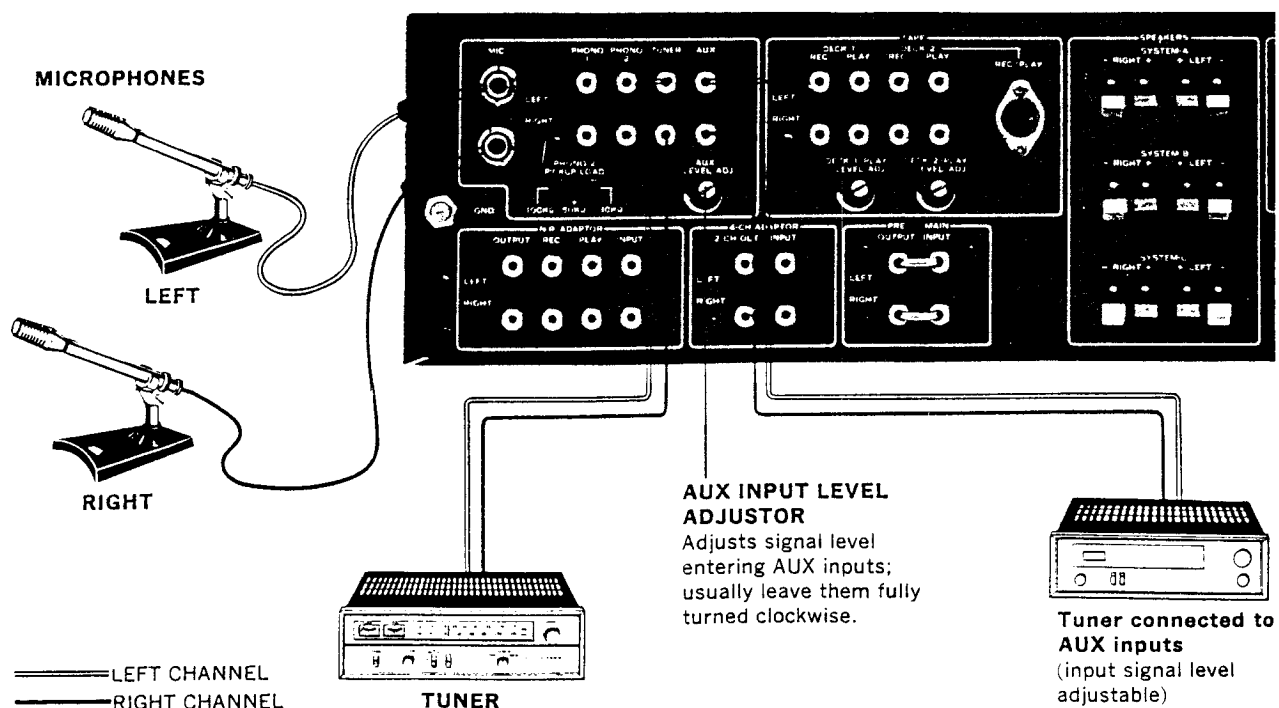
It can be avoided either by directing or moving the microphone away from the speaker systems. Also, it may stop if you manipulate the high and/or low filter switches.

Radio Reception

1. Set the Selector Control to the TUNER position.
2. Operate the tuner to receive the desired station. Make appropriate settings of controls on the tuner.
3. Use the amplifier's other controls and switches to suit your taste or room acoustics.

Using Microphones

1. Set the Selector Control to the MIC position.
2. If only one microphone is used, set the Mode Switch to MONO L or R depending on which input is being used.



QUICK CHECK LIST OF SIMPLE MISTAKES

Some of the troubles which seem to result from a malfunction of the amplifier—including the complete absence of sound from your speaker systems—are caused by wrong operation and the negligence of simple maintenance, and can be quickly corrected by making a simple investigation and providing simple cures. If, after making all the preparations and operating the amplifier as required, no sound is heard from your speaker systems, go over the following check list once to make sure you haven't made any simple mistake.

Connections

1. Have you connected the power cord to a wall AC outlet?
2. Are the connecting cables for the turntable and tape deck not loose?
3. Are the speaker cables not loose from the amplifier's jacks or the speaker systems?
4. If you are utilizing two pairs of speaker systems at once, does each speaker system have an impedance of 8 ohms or more? If not, the protective quick-acting fuses may blow and disable the amplifier.

Operating Procedure

1. Have you turned on the Power/Speakers Switch?
2. Is the Tape Monitor Switch not set to PLAYBACK position, though you don't want to reproduce a tape?
3. Is the Selector Control set to the correct position?
4. Is the Power/Speakers Switch set to the correct position?
5. Is the 4-Channel Adaptor Switch not pushed down, though you are not using a 4-channel rear amplifier or adaptor?
6. Is the Noise Reduction Adaptor Switch not pushed down, though you are not using a noise reduction adaptor?

Hints for Quick Checking

1. If absolutely no sound is heard from the speaker systems, check the program source components (tuner, turntable, etc.), amplifier and speaker systems in that order and see if they are connected and operated correctly. The most common causes are, believe it or not, the power cord unplugged from the wall AC outlet and the connecting cables unplugged from the jacks.
2. If the amplifier plays a record normally, it is not faulty. Check other components and their connections.
3. If hum noise is of a constant level, it may be stopped simply by connecting the grounding lead of the program source component(s) to the amplifier's GND terminal.

RECORDING AND PLAYBACK BY TAPE DECKS

Connecting Tape Decks

The AU-9500 connects up to two tape decks for recording and playback. Connect the input terminals of a tape deck to either TAPE DECK-1 or 2 REC terminals of the amplifier, and its output terminals to the PLAY terminals of the same circuit. The DIN socket is a part of the TAPE DECK-2 circuit and can be used only if your tape deck is equipped with a similar socket. It is manufactured according to the German industrial standard to permit tape recording and playback from a single cable with a special 5-pin plug on each end.

Should you wish to connect more than two tape decks, you may connect the third deck to the 4-CH ADAPTOR terminals. The OUTPUT terminals have the same electrical function as the REC terminals, while the input terminals are equivalent to the PLAY terminals.

Playback Procedure

1. Set the amplifier's Tape Monitor Switch to either PLAYBACK DECK-1 or DECK-2, depending on which circuit is accommodating your tape deck.
2. Engage the tape deck in the playback mode.

Recording Procedure

1. Prepare the program source to be recorded and keep it ready to be reproduced. Be sure to adjust the Selector Control to the appropriate position.
2. Engage the tape deck in the recording mode and start recording, adjusting the recording level with the control(s) on the tape deck. The controls on the amplifier do not affect the sound being recorded.
3. If you want to monitor the sound as you record it, your tape deck must be a 3-head one. If it is, you can monitor by following exactly the same procedure as for playback (described above). Make sure necessary adjustments are made on the tape deck itself for playback. If your tape deck only has a combined record/play head, set the Tape Monitor Switch to SOURCE and listen to the sound before it is recorded.

Copying of Recorded Tape

1. Adjust the Tape-to-Tape Reprint Switch to either DECK 1►2 or DECK 2►1, depending on which tape deck you wish to use for playback and which tape deck for recording. The DECK 1►2 position is for when you are using the first tape deck for playback and the second one for recording. The DECK 2►1 position is for the opposite situation.
2. Operate the two tape decks and begin playback on one tape deck and recording on the other.
3. If you set the Tape Monitor Switch to the tape deck you are using to record, you can monitor the recording being made. If you set it to the tape deck that is being used to reproduce, you can hear the reproduced sound before it is re-recorded (copied) into the other tape deck.
4. If you set the Tape Monitor Switch to SOURCE, the tape reprint circuit becomes independent of the rest of the amplifier, enabling you to enjoy its other functions—such as playing records or receiving a radio broadcast—while the tape-to-tape copying is being performed.

Noise Reduction System

A noise reduction system, as its name indicates, is designed to reduce various types of noise commonly generated during tape recording or playback. The most annoying of such noise is the so-called tape hiss, which is heard over the entire audio spectrum of recorded sound and which is almost inherent in tape recording.

While different kinds of noise reduction system have been proposed by different manufacturers, they are almost always designed to dilute this unpleasant tape hiss. The most recent innovation in this field is called the Dolby Noise Reduction System, which already seems to have won worldwide recognition as one of the most effective yet devised.

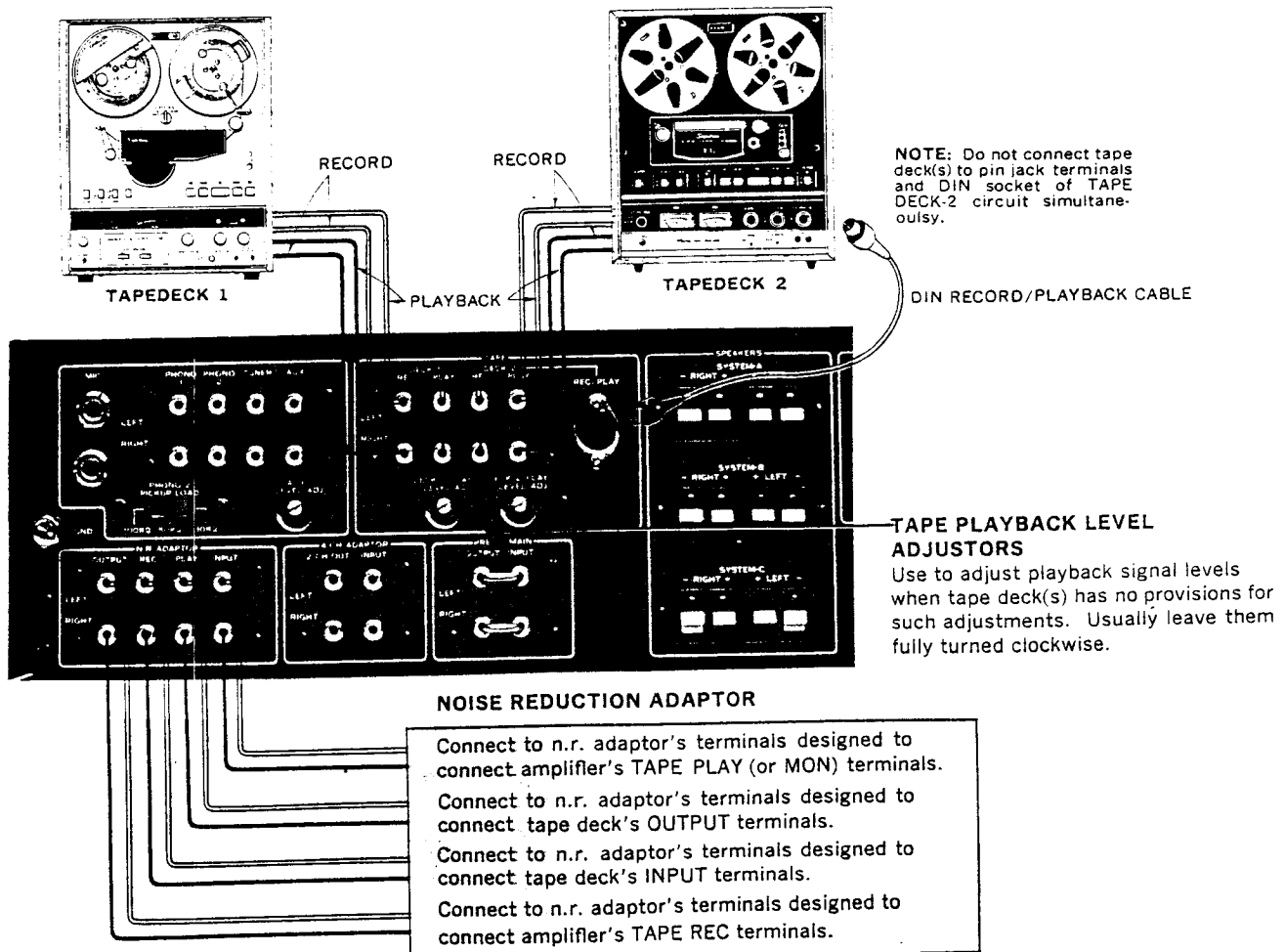
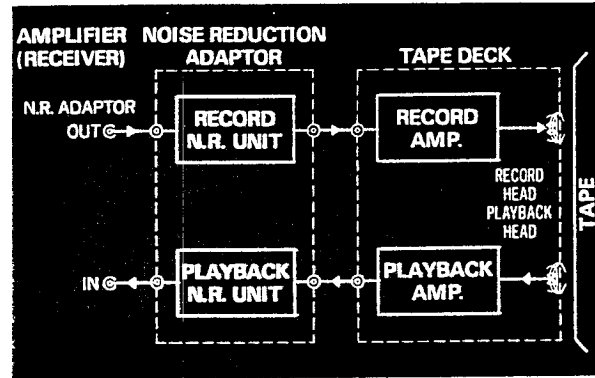
As tape hiss and other types of noise invariably increase in quantity as the tape speed slows down, the effect of reducing noise by a noise reduction adaptor is most striking when such an adaptor is incorporated into a cassette tape deck.

For Service Manuals Contact
MAURITRON TECHNICAL SERVICES
8 Cherry Tree Rd, Chinnor
Oxon OX9 4QY
Tel: 01844-351694 Fax: 01844-352554
Email: enquiries@mauritron.co.uk

Construction of a Noise Reduction System

Output signals delivered at the amplifier's tape recording terminals are fed through the recording noise reduction unit in a noise reduction adaptor (abbreviated as n.r. adaptor hereafter), then recorded into a tape by a tape deck. For playback, the output signals given at the tape deck's playback or output terminals are fed through the playback noise reduction unit of the adaptor and into the amplifier's tape monitor or input terminals.

A block diagram of a typical noise reduction system is presented on the right.



UPGRADING YOUR STEREO

For Service Manuals Contact
MAURITRON TECHNICAL SERVICES
8 Cherry Tree Rd, Chinnor
Oxon OX9 4QY
Tel: 01844-351694 Fax: 01844-352554
Email: enquiries@mauritron.co.uk

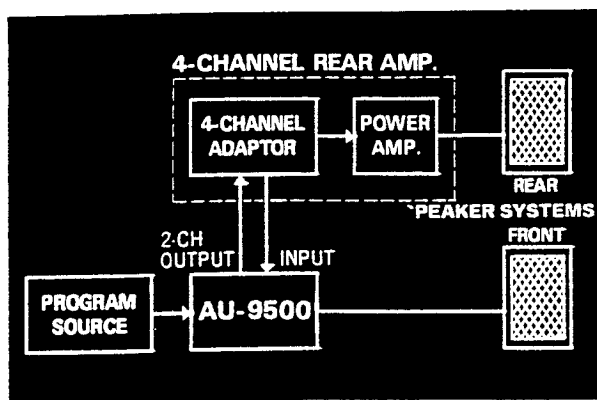
4-Channel Stereo System

The sound we hear daily is a mixture of the sound that reaches our ears straight from the sound source—be it a musical instrument, a jet, a man's mouth or what have you—and the 'indirect sounds' that arrive at your ears only after they are reflected off various surfaces, such as the walls, ceiling and so forth.

Four-channel recordings are made using two microphones in the front of the concert hall and two in the rear (to simplify the explanation). The 'indirect sounds' with their complicated waveforms are mainly picked up by the two microphones in the rear, and reproduced out of the two rear speakers in a 4-channel stereo set-up for greatly enhanced 'ambience' effects. The end effect is almost as if the original live performance were re-played right in your own room. This new approach can now be yours simply by adding certain equipment—mainly, a Sansui 4-channel rear amplifier with its unique QS REGULAR MATRIX system (patents pending), and a second pair of speaker systems—to your 2-channel stereo system.

Connection of such a rear amplifier or 4-channel adaptor is easy. Just connect the 4-CH ADAPTOR 2-CH OUT terminals of the AU-9500 with the input terminals of such rear amplifier or 4-channel adaptor, then connect its 4-CH ADAPTOR INPUT terminals with the output terminals of such unit.

To operate the rear amplifier or 4-channel adaptor so connected, push the 4-Channel Adaptor Switch on the amplifier's front panel, and otherwise follow its manufacturer's instructions. Electrically, the 4-CH ADAPTOR 2-CH OUT and INPUT terminals possess the same functions as the TAPE REC and MON terminals, respectively.



Electronic Crossover System

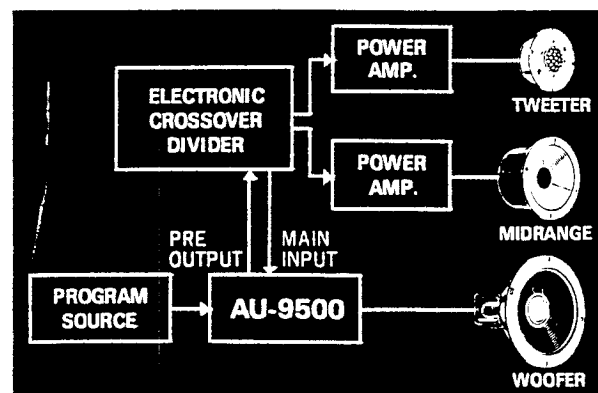
The electronic crossover system affords these advantages:

1. It enables the tweeters, midranges and woofers to be driven by separate power amplifiers. So you can make optimum use of speakers of different impedances and efficiencies, as well as power amplifiers of different output capacities and tone qualities.
2. It eliminates the need for the conventional LC type crossover network. With the electronic crossover divider, the amplifier's damping factor is no longer affected and you can set crossover frequencies as you like.

Electronic Crossover System Using the AU-9500

The preamplifier and power amplifier sections of the AU-9500 can be disconnected for independent usage, the latter section being available for driving a separate speaker in an electronic crossover system. To build such a system, you will need two- or three-way speaker systems and an electronic crossover divider, along with and at least one or two additional power amplifiers.

Connection is not all that difficult. First remove the Pre-Main Connectors uniting the amplifier's pre-amplifier outputs and main (power) amplifier inputs. Then just connect the PRE OUTPUT to the input terminals of the electronic crossover divider, which divides the input signals into high, medium and low range(s). Finally, couple the separate output terminals of the electronic crossover divider to the amplifier's MAIN INPUT and the additional power amplifier(s), feeding their outputs separately into individual speakers, as illustrated below.

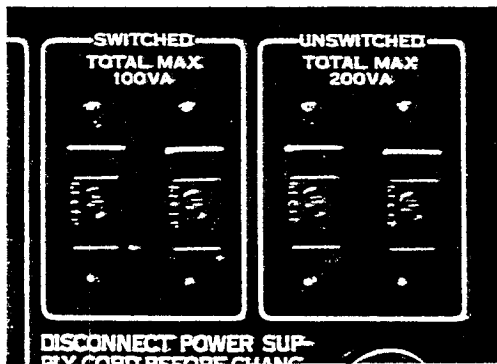


SIMPLE MAINTENANCE HINTS

Rear-Panel AC Outlets

Of the four AC outlets provided on the rear panel, the ones marked 'SWITCHED' are controlled by the front-panel Power/Speakers Switch. The other, marked 'UNSWITCHED,' are always 'live' and independent of the Power/Speakers Switch. The voltage delivered at these AC outlets is the same as the power supply voltage used.

The two 'SWITCHED' outlets have a total power capacity of 100VA, and the UNSWITCHED ones 200VA. Before you connect any appliance to them, be sure that it is adjusted for use at the same power supply voltage, and that its power consumption is not beyond these figures. Otherwise, serious danger could result.



Make Proper Connections

Connect the leadwires of speaker cables properly. If they are loose or touch other parts, the amplifier may produce noise and eventually break down. Also, before connecting a turntable, tuner and/or tape deck, be sure to read their manufacturers' instructions.

Howling and Hum

Take care never to place a turntable on or too near a speaker system, or the vibration produced by the speaker system is transmitted and causes an oscillating phenomenon called howling. It is best to keep these components completely separated, but if this is impossible, place a thick cushion between them. Humming, in contrast, is a phenomenon caused by incomplete or incorrect turntable-amplifier connections. Should this occur, check to see if all connections are completely made and if the connecting cables are sufficiently thick. Hum noise may sometimes be eliminated by connecting the grounding lead of the turntable to the GND terminal on the amplifier's rear panel.

Heat Radiated inside the Amplifier

The bonnet of the AU-9500 is designed so that any heat radiated inside will effectively escape through it. Proper care should therefore be taken of the dissipation of such heat if you wish to place something on top of the amplifier or place it inside a closed box, etc. Above all, avoid placing it where it may be exposed to the direct sunlight.

It is prohibited, however, to remove the amplifier's bonnet or bottom plate to improve the ventilation.

Accessory List

1. OPERATING INSTRUCTIONS AND SERVICE MANUAL	1
2. OPERATING INSTRUCTIONS SHEET	1
3. PIN PLUGS.....	4
4. BUTTERFLY BOLTS	2
5. WASHERS	2
6. POLISHING CLOTH	1
7. QUICK-ACTING FUSES (7A).....	2

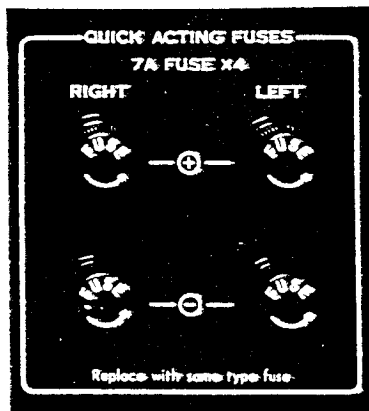
SIMPLE MAINTENANCE HINTS

For Service Manuals Contact
MAURITRON TECHNICAL SERVICES
 8 Cherry Tree Rd, Chinnor
 Oxon OX9 4QY
 Tel: 01844-351694 Fax: 01844-352554
 Email: enquiries@mauritron.co.uk

Quick-Acting Fuses

The AU-9500 is doubly protected with a relay-equipped protection circuit and four quick-acting fuses. If no sound or distorted sound is heard from either or both speaker systems, switch off the amplifier, disconnect the power cord from the wall AC outlet, remove the cover on the rear panel concealing the quick-acting fuses and examine them. If you find any of them blown, find and eliminate the cause of the blowout, then replace it with a new glass-tubed quick-acting fuse supplied.

If the relay-equipped protection circuit ever goes to work, the sound may come out intermittently. If it happens, check the connections of various equipment and your operating procedure once.



Should the Power Fuse Blow

If the amplifier simply remains dead even after you have turned on its Power/Speakers Switch, it is possible that its power fuse has blown.

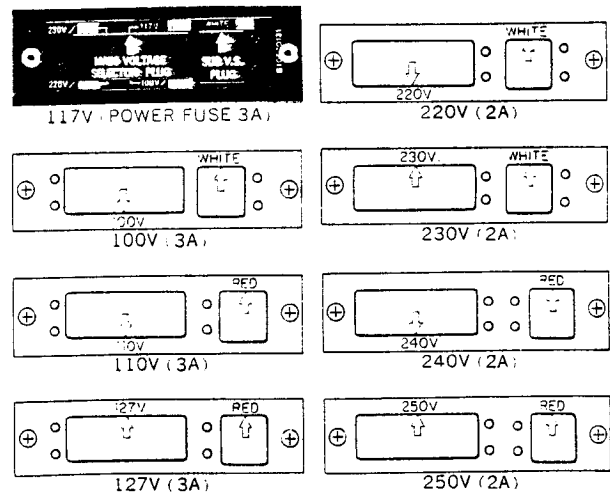
If this happens, switch off the amplifier, disconnect the power cord from the wall AC outlet at once and examine the power fuse on the amplifier's rear panel. If you find it blown, replace it with a new glass-tubed fuse of the rated capacity (6 amperes for 100 to 127 volts, 3 amperes for 220 to 250 volts). Never use a fuse of a different capacity or a piece of wire, even as a stop-gap measure, or serious danger could result.



Voltage Adjustment

Your AU-9500 is adjusted in our factory to operate at the power supply voltage of your area. That voltage is indicated on the amplifier. Should you, after purchasing the amplifier, move to an area where the power supply voltage is different from the one indicated, adjust the amplifier's voltage selector plugs as follows:

1. Remove the two screws securing the name plate on the rear, then remove the name plate.
2. Set the arrow mark on the Main Voltage Selector Plug to the new voltage: 100, 110, 117, 127, 220, 230, 240 or 250 volts.
3. If the new voltage is indicated in red, set the arrow mark on the adjacent Sub Voltage Selector Plug to "RED". If it is indicated in white, however, set that arrow to "WHITE".
4. Change the power fuse as well whenever the power supply voltage has changed. For 100—127 volt operation, use a 6-ampere glass-tubed fuse. For 220—250 volt operation, use a 3-ampere one.
5. Where the power supply voltage considerably fluctuates, the voltage selector plugs may be reset to avoid unpleasant side effects of such fluctuation. Reset them to the voltage immediately higher than the peak of the fluctuation.



SPECIFICATIONS

POWER OUTPUT:

IHF MUSIC POWER	260W (4Ω 1,000Hz)
	220W (8Ω 1,000Hz)
CONTINUOUS RMS POWER (each channel driven)	120/120W (4Ω 1,000Hz)
	85/85W (8Ω 1,000Hz)
CONTINUOUS RMS POWER (both channels driven)	115+115W (4Ω 1,000Hz)
	80+80W (8Ω 1,000Hz)
CONTINUOUS RMS POWER (both channels driven at rated distortion, 20 to 20,000Hz)	75+75W (8Ω)

TOTAL HARMONIC DISTORTION (at rated output):

OVER-ALL (from AUX)	less than 0.1%
PREAMPLIFIER ONLY	less than 0.05%
POWER AMPLIFIER ONLY	less than 0.1%

INTERMODULATION DISTORTION (rated output, 70Hz: 7,000Hz=4:1 SMPTE method):

OVER-ALL (from AUX)	less than 0.1%
PREAMPLIFIER ONLY	less than 0.05%
POWER AMPLIFIER ONLY	less than 0.1%

IHF POWER BANDWIDTH (each channel driven, at rated distortion):

5 to 40,000Hz

FREQUENCY RESPONSE (power output at 1 watt):

PHONO-1 and 2	RIAA equalization curve ±0.5dB (30 to 15,000Hz)
---------------	----------------------------------------------------

OVER-ALL (from AUX) 15 to 40,000Hz ±0dB

POWER AMPLIFIER ONLY 30 to 80,000Hz ±0dB

LOAD IMPEDANCE: 4 to 16Ω

DAMPING FACTOR: approx. 50 at 8Ω dummy load

INPUT LEVEL AND IMPEDANCE (at 1,000Hz):

PHONO-1	2.5mV 50kΩ
PHONO-2	2.5mV 30k, 50k, 100kΩ adjustable

Max. Input Capability 300mV (THD: less than 0.5%)

MIC 2.5mV 50kΩ

TUNER 100mV 50kΩ

AUX 100mV 50kΩ
input level adjustable

TAPE DECK-1 and 2

PLAY 100mV 50kΩ
input level adjustable

TAPE DECK-2 REC/PLAY 100mV 50kΩ

4-CH ADAPTOR INPUT 100mV 50kΩ

N.R. ADAPTOR INPUT 100mV 50kΩ

MAIN (POWER) INPUT 800mV 50kΩ

OUTPUT LEVEL AND IMPEDANCE (at 1,000Hz):

TAPE DECK-1 and 2 REC 100mV 1.5kΩ

TAPE DECK-2 REC/PLAY 30mV 70kΩ

4-CH ADAPTOR

2-CH OUT 100mV 1.5kΩ

N.R. ADAPTOR OUTPUT 100mV 1.5kΩ

PRE OUTPUT 800mV 1.5kΩ

Max. Output Level 4.5V (T.H.D.: less than 0.5%)

CROSSTALK (rated output at 1,000Hz):

PHONO-1 and 2 better than 50dB

MIC better than 50dB

TUNER better than 50dB

AUX better than 50dB

MAIN (POWER) INPUT better than 60dB

IHF HUM AND NOISE:

PHONO-1 AND 2 better than 75dB

MIC better than 65dB

TUNER better than 85dB

AUX better than 85dB

MAIN (POWER) INPUT better than 100dB

SWITCHES AND CONTROLS:

BASS +15dB, -15dB at 20Hz

MIDRANGE +5dB, -5dB at 1,500Hz

TREBLE +15dB, -15dB at 20,000Hz

LOUDNESS (volume control at -30dB):

+10dB at 50Hz

+8dB at 10,000Hz

LOW FILTER -3dB at 50Hz (12dB/oct)

-3dB at 100Hz (12dB/oct)

HIGH FILTER -3dB at 12,000Hz (12dB/oct)

-3dB at 6,000Hz (12dB/oct)

POWER REQUIREMENTS: 100, 110, 117, 127, 220, 230, 240, 250V 50/60Hz

AC OUTLETS:

SWITCHED total 100VA

UNSWITCHED total 200VA

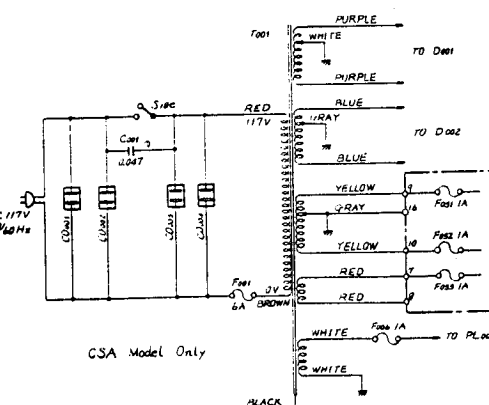
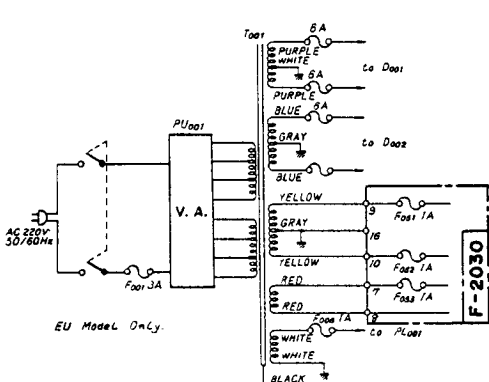
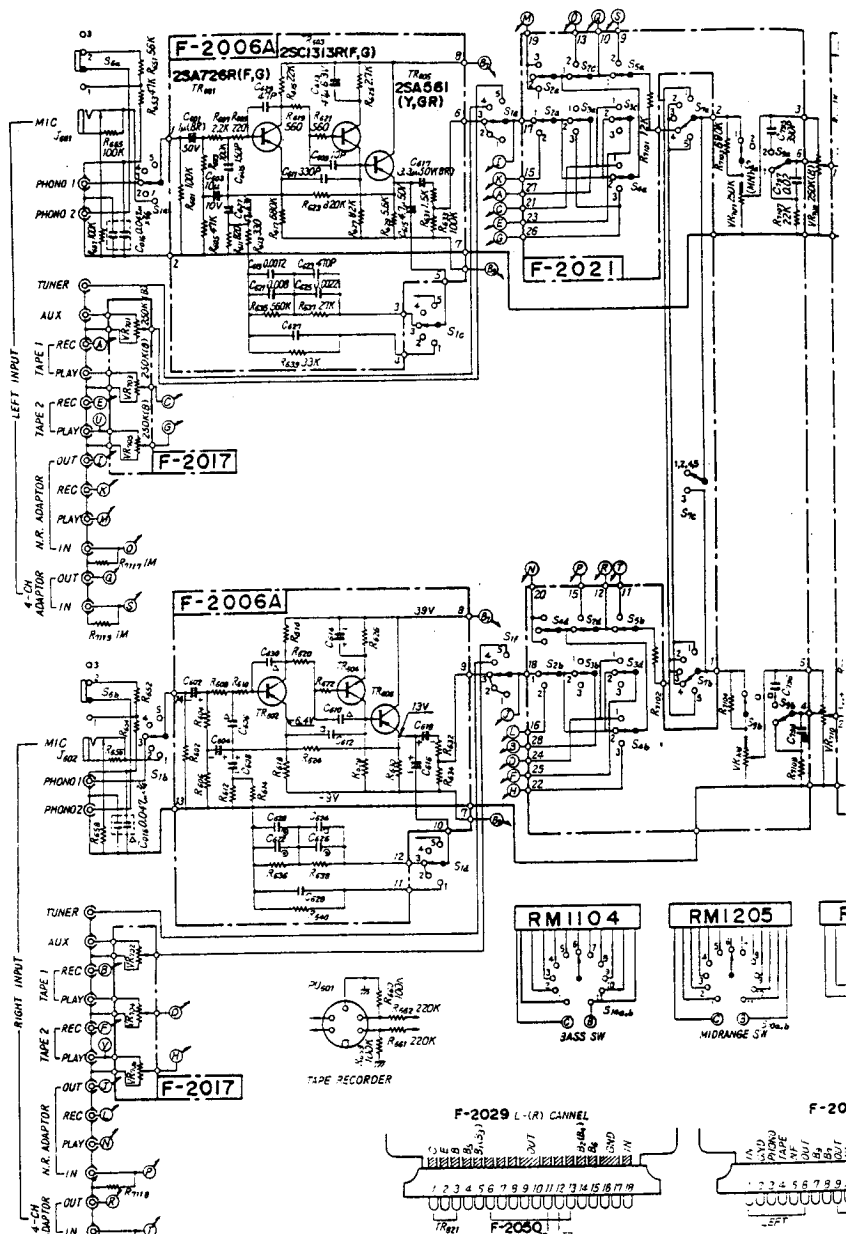
POWER CONSUMPTION: 550VA (max.)
205W (Rated)

DIMENSIONS: 140mm (5⁵/₁₆"H)
500mm (19¹¹/₁₆"W)
347mm (13¹¹/₁₆"D)

WEIGHT: 23.3kg (51.26 lbs)

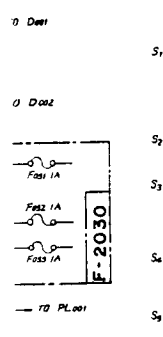
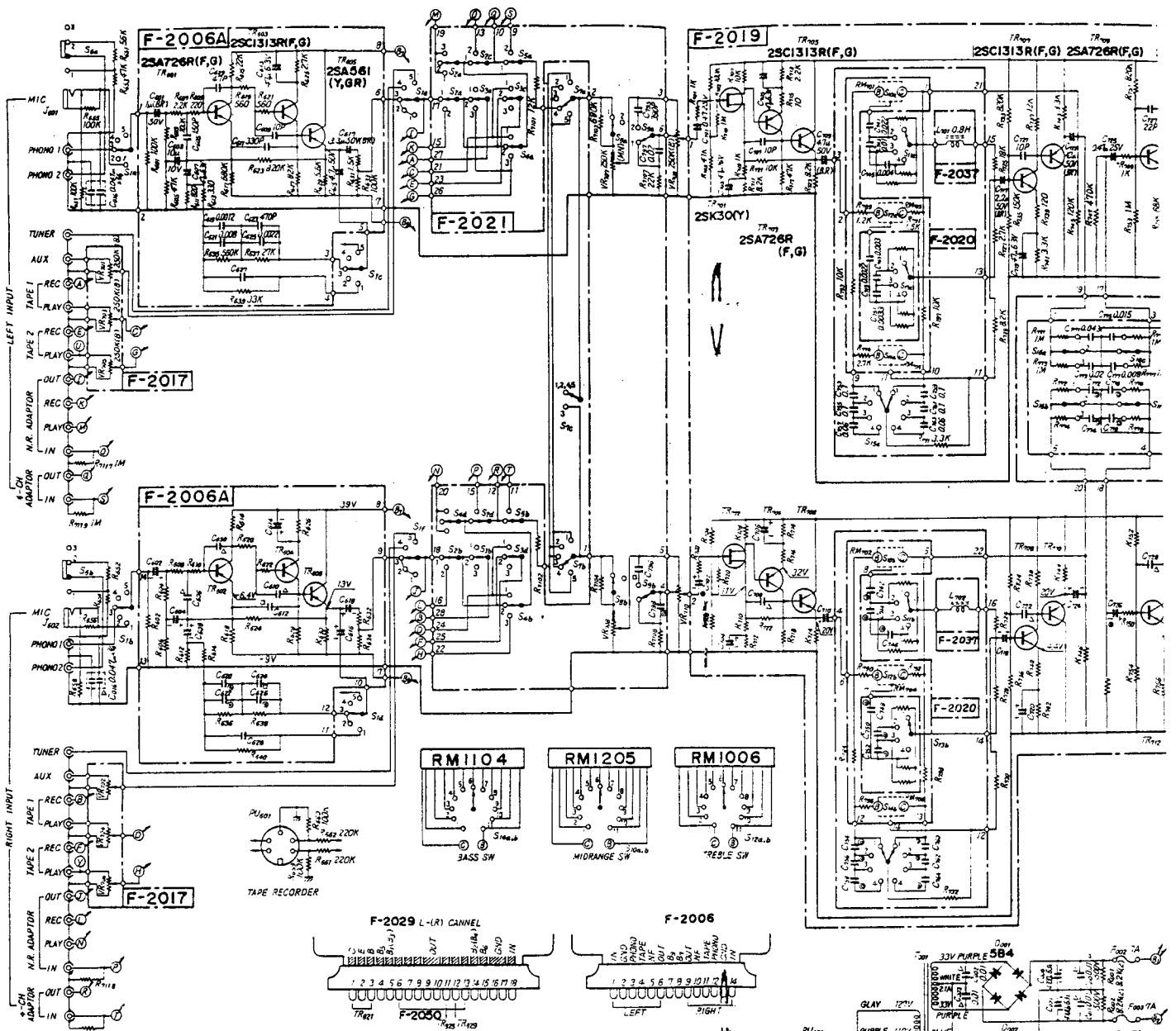
SCHEMATIC DIAGRAM

For Service Manuals Contact
MAURITRON TECHNICAL SERVICES
 8 Cherry Tree Rd, Chinnor
 Oxon OX9 4QY
 Tel:- 01844-351694 Fax:- 01844-352554
 Email:- enquiries@mauritron.co.uk

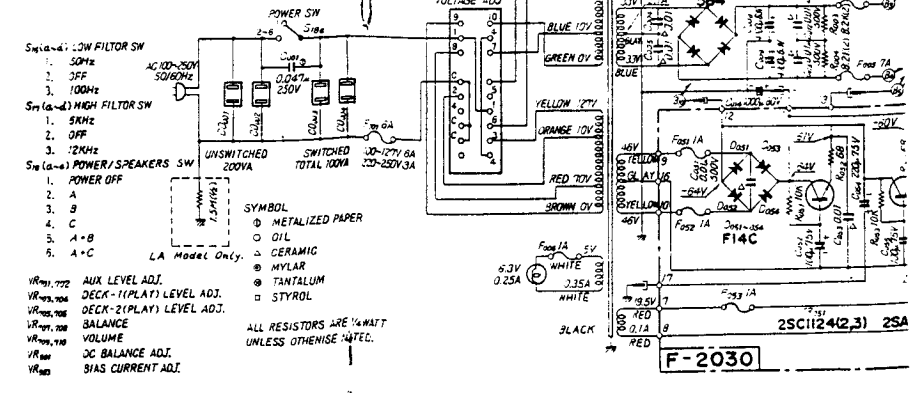


- S_{1(a-f)} SELECTOR SW
 1. MIC
 2. PHONO 2
 3. PHONO 1
 4. TUNER
 5. AUX
- S_{2(a-d)} N.R. ADAPTOR SW
 1. OUT
 2. IN
- S_{3(a-d)} TAPE TO TAPE REPRINT SW
 1. DECK 1 → 2
 2. SOURCE RECORD
 3. DECK 2 → 1
- S_{4(a-d)} TAPE MONITOR SW
 1. PLAYBACK DECK-1
 2. SOURCE
 3. PLAYBACK DECK-2
- S_{5(a,b)} 4-CH ADAPTOR SW
 1. OUT
 2. IN
- S_{6(a,b)} PHONO PICKUP LOAD SW
 1. 30K OHMS
 2. 50K OHMS
 3. 100K OHMS
- S_{7(a-c)} MODE SW
 1. STEREO REVERSE
 2. STEREO NORMAL
 3. MONO L-R
 4. MONO L
 5. MONO R
- S_{8(a,b)} MUTING SW
 1. NORMAL
 2. 20dB
- S_{9(a,b)} LOUDNESS SW
 1. OUT
 2. IN
- S_{10(a,b)} MIDRANGE CONTROL
 - 1-5 CUT
 - 6 FLAT
- S_{11(a-b)} TREBLE SELECTOR SW
 1. DEFEAT
 2. 6KHz
 3. 15KHz
 4. 2KHz
- S_{12(a,b)} TREBLE CONTROL
 - 1-5 CUT
 - 6 FLAT
 - 7-11 BOOST
- S_{13(a-c)} TREBLE SELECTOR SW
 1. DEFEAT
 2. 6KHz
 3. 15KHz
 4. 2KHz
- S_{14(a,b)} BASS CONTROL
 - 1-5 CUT
 - 6 FLAT
 - 7-11 BOOST
- S_{15(a,b)} BASS SELECTOR SW
 1. DEFEAT
 2. 150Hz
 3. 300Hz
 4. 600Hz
- S_{16(a-b)} MIDRANGE SELECTOR SW
 1. DEFEAT
 2. OFF
 3. 100Hz
- S_{17(a-b)} HIGH FILTER SW
 1. 5KHz
 2. OFF
 3. 12KHz
- S_{18(a-c)} POWER/SPEAKERS SW
 1. POWER OFF
 2. A
 3. B
 4. C
 5. A+B
 6. A+C
- S_{19(a-b)} LOW FILTER SW
 1. 50Hz
 2. OFF
 3. 100Hz
- S_{20(a-c)} ACID-250V 3000Hz
- S_{21(a-c)} ACID-250V 250V
- S_{22(a-c)} ACID-250V 250V
- S_{23(a-c)} ACID-250V 250V
- S_{24(a-c)} ACID-250V 250V
- S_{25(a-c)} ACID-250V 250V
- S_{26(a-c)} ACID-250V 250V
- S_{27(a-c)} ACID-250V 250V
- S_{28(a-c)} ACID-250V 250V
- S_{29(a-c)} ACID-250V 250V
- S_{30(a-c)} ACID-250V 250V
- S_{31(a-c)} ACID-250V 250V
- S_{32(a-c)} ACID-250V 250V
- S_{33(a-c)} ACID-250V 250V
- S_{34(a-c)} ACID-250V 250V
- S_{35(a-c)} ACID-250V 250V
- S_{36(a-c)} ACID-250V 250V
- S_{37(a-c)} ACID-250V 250V
- S_{38(a-c)} ACID-250V 250V
- S_{39(a-c)} ACID-250V 250V
- S_{40(a-c)} ACID-250V 250V
- S_{41(a-c)} ACID-250V 250V
- S_{42(a-c)} ACID-250V 250V
- S_{43(a-c)} ACID-250V 250V
- S_{44(a-c)} ACID-250V 250V
- S_{45(a-c)} ACID-250V 250V
- S_{46(a-c)} ACID-250V 250V
- S_{47(a-c)} ACID-250V 250V
- S_{48(a-c)} ACID-250V 250V
- S_{49(a-c)} ACID-250V 250V
- S_{50(a-c)} ACID-250V 250V

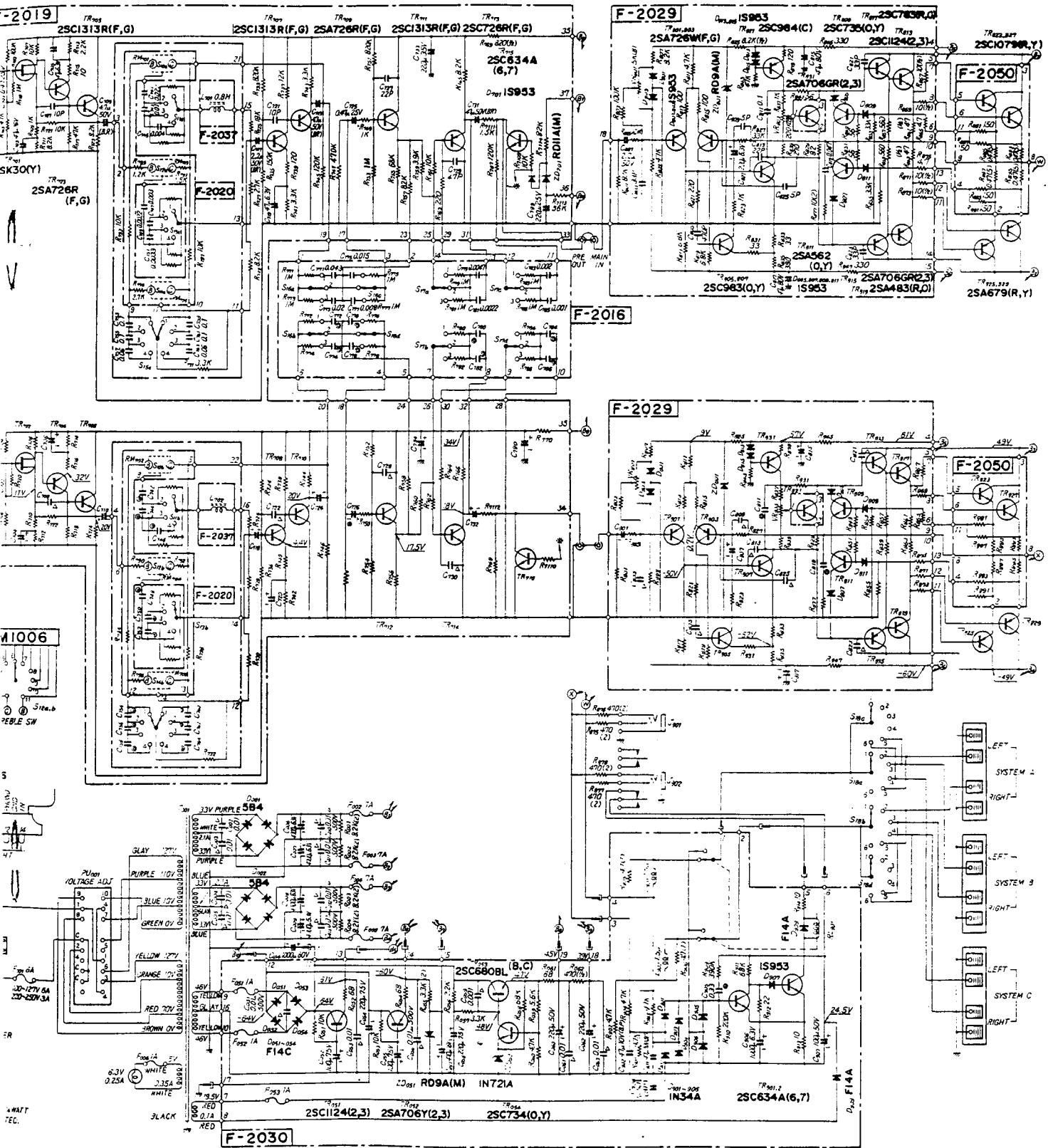
THE QUALITY OF THIS PAGE IS THE BEST THAT IS AVAILABLE



- 01 Dec1
- 02 Dec2
- 03 Dec3
- 04 Dec4
- 05 Dec5
- 06 Dec6
- 07 Dec7
- 08 Dec8
- 09 Dec9
- 10 Dec10
- 11 Dec11
- 12 Dec12
- 13 Dec13
- 14 Dec14
- 15 Dec15
- 16 Dec16
- 17 Dec17
- 18 Dec18
- 19 Dec19
- 20 Dec20
- 21 Dec21
- 22 Dec22
- 23 Dec23
- 24 Dec24
- 25 Dec25
- 26 Dec26
- 27 Dec27
- 28 Dec28
- 29 Dec29
- 30 Dec30
- 31 Dec31
- 32 Dec32
- 33 Dec33
- 34 Dec34
- 35 Dec35
- 36 Dec36
- 37 Dec37
- 38 Dec38
- 39 Dec39
- 40 Dec40
- 41 Dec41
- 42 Dec42
- 43 Dec43
- 44 Dec44
- 45 Dec45
- 46 Dec46
- 47 Dec47
- 48 Dec48
- 49 Dec49
- 50 Dec50
- 51 Dec51
- 52 Dec52
- 53 Dec53
- 54 Dec54
- 55 Dec55
- 56 Dec56
- 57 Dec57
- 58 Dec58
- 59 Dec59
- 60 Dec60
- 61 Dec61
- 62 Dec62
- 63 Dec63
- 64 Dec64
- 65 Dec65
- 66 Dec66
- 67 Dec67
- 68 Dec68
- 69 Dec69
- 70 Dec70
- 71 Dec71
- 72 Dec72
- 73 Dec73
- 74 Dec74
- 75 Dec75
- 76 Dec76
- 77 Dec77
- 78 Dec78
- 79 Dec79
- 80 Dec80
- 81 Dec81
- 82 Dec82
- 83 Dec83
- 84 Dec84
- 85 Dec85
- 86 Dec86
- 87 Dec87
- 88 Dec88
- 89 Dec89
- 90 Dec90
- 91 Dec91
- 92 Dec92
- 93 Dec93
- 94 Dec94
- 95 Dec95
- 96 Dec96
- 97 Dec97
- 98 Dec98
- 99 Dec99
- 100 Dec100



THE QUALITY OF
THIS PAGE IS
THE BEST THAT
IS AVAILABLE

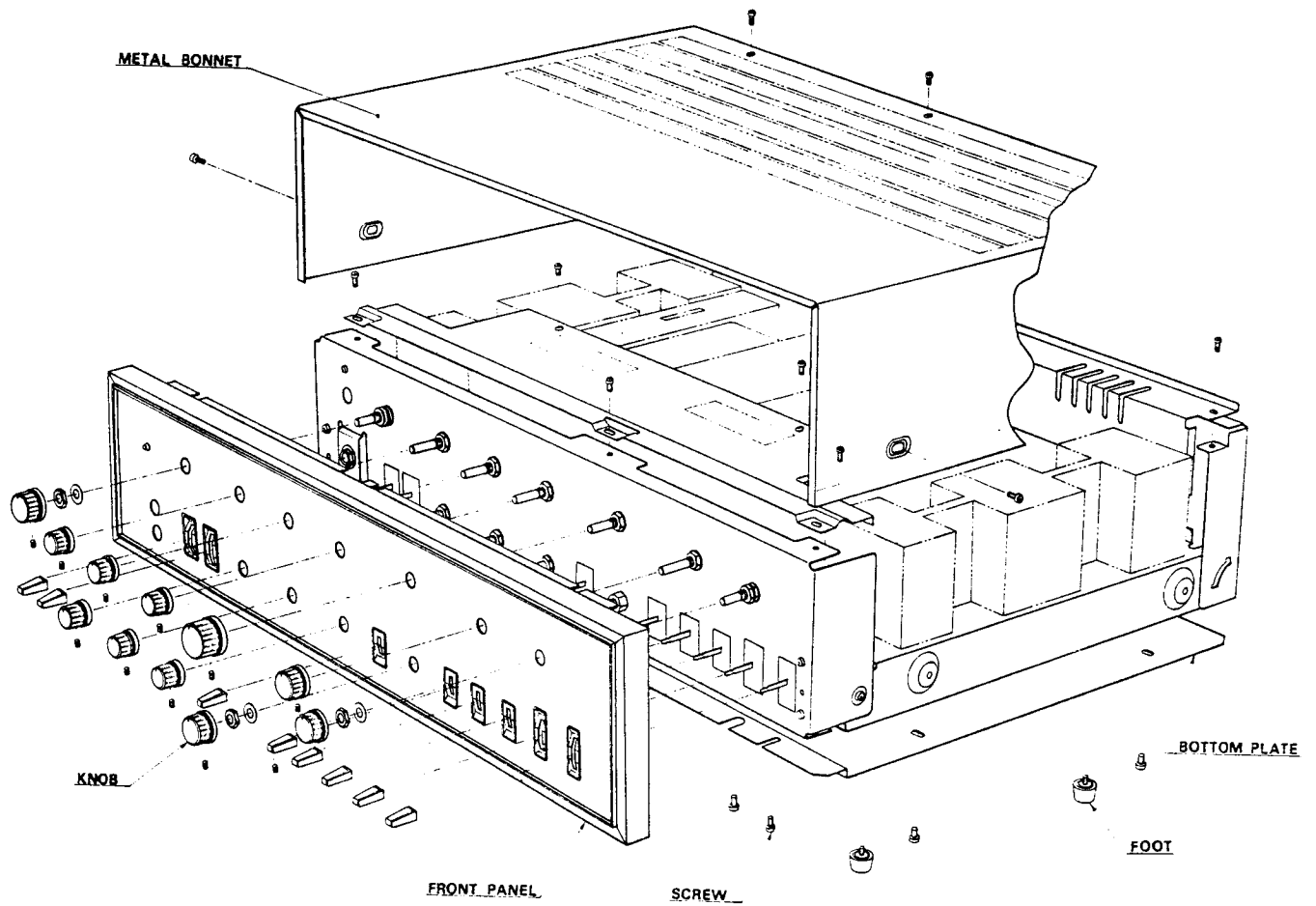


For Service Manuals Contact
MAURITRON TECHNICAL SERVICES
8 Cherry Tree Rd, Chinnor
Oxon OX9 4QY
Tel: 01844-351694 Fax: 01844-352554
Email: enquiries@mauritron.co.uk

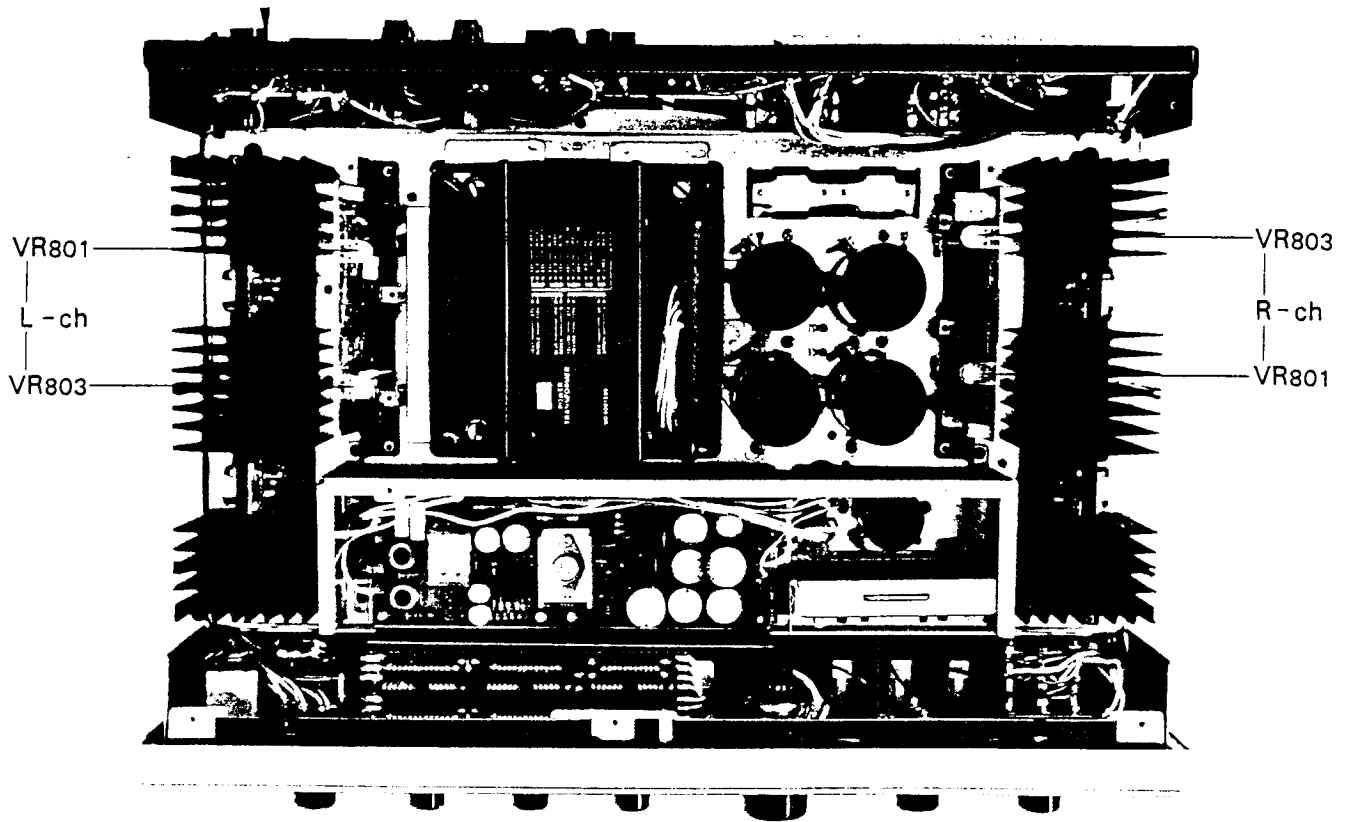
GENERAL TROUBLESHOOTING CHART

PROGRAM SOURCE	SYMPTOM	PROBABLE CAUSE	WHAT TO DO
Tuner.	* Noise during AM reception.	* Interference by adjacent stations (called beat interference). * TV set is being used simultaneously.	* Peculiar to AM waves, and unavoidable to some extent. * Move TV set away from tuner and amplifier.
	* Noise heard at certain hours, in certain areas or over part of dial during AM reception.	* Interference by nearby electrical appliances.	* Attach noise limiter to appliance producing noise. * In some cases, can be eliminated by reversing power cord plug-AC outlet connections.
	* Pop noise during FM reception.	* Ignition noise from nearby automobile, motorcycle, etc. Note: In many cases, high-frequency noise during radio reception cannot be entirely eliminated. Try turning on amplifier's High Filter Switch or turning Treble Control counterclockwise.	* Adjust antenna location and height for maximum sensitivity. * Keep antenna away from streets.
Turntable.	* Hum noise. For Service Manuals Contact MAURITRON TECHNICAL SERVICES 8 Cherry Tree Rd, Chinnor Oxon OX9 4QY Tel: 01844-351694 Fax: 01844-352554 Email: enquiries@mauritron.co.uk	* Unshielded cables used to connect turntable. * Minus (ground) wire of connecting cable is not connected completely. * Turntable motor or tonearm is not grounded.	* Use regular shielded cables. * Examine connecting cables, especially their plugs. * Connect grounding lead of turntable to amplifier's GND terminal.
	* Loud oscillating noise.	* Turntable is placed on top of or too close to speaker systems.	* Place thick cushion between turntable and speaker systems. * Change location of turntable and speaker systems. * If using microphone(s), move or direct them away from speaker systems.
	* Sound is shaky.	* Dust on record or pickup stylus. * Worn pickup stylus. * Improper stylus pressure.	* Clean record and pickup stylus. * Replace pickup stylus. * Adjust stylus pressure.
Tape Deck.	* Hiss noise.	* Magnetic heads are magnetized.	* Demagnetize heads. * Turn on High Filter Switch. * Connect noise reduction adaptor.
	* Sound is not clear.	* Dust on magnetic heads. * Tape is not pressed tight to heads.	* Clean heads. * Align tape transport mechanism.
General.	* When left and right channel sound volumes are balanced with amplifier's Balance Control, it does not come to center position.	* Left and right channel signal strengths vary with program source. * Left and right speaker systems have different efficiencies.	* Never mind. Optimum stereo effect is obtained by adjusting Balance Control so that sound comes from midway point between two speaker systems with Mode Switch set to MONO.
	* Musical instruments and singer not located clearly.	* Left-right, plus-minus connections of speaker systems, input cables are wrong.	* Examine connections once.
	* Want to listen at very low volume level at night.	* Fine adjustment of very low volume cannot be done with Volume Control.	* Turn on Muting Switch, then adjust Volume Control.

DISASSEMBLY PROCEDURE



ALIGNMENT



For Service Manuals Contact
MAURITRON TECHNICAL SERVICES
8 Cherry Tree Rd, Chinnor
Oxon OX9 4QY
Tel:- 01844-351694 Fax:- 01844-352554
Email:- enquiries@mauritron.co.uk

OUTPUT ADJUSTMENT OF POWER AMPLIFIER SECTION

STEP	CONNECT/ADJUST	REMARKS
1.	Connect DC voltmeter to left channel SYSTEM-A speaker terminals.	
2.	Turn Power/Speakers Switch to SYSTEM-A	Set DC voltmeter to 0.5V~3V range
3.	Adjust VR ₈₀₁ of left channel so that DC voltmeter indicates 0V (within ±30 mV). Repeat above procedure for right channel.	

CURRENT ADJUSTMENT OF POWER AMPLIFIER SECTION

STEP	AMMETER (TESTER)	CONNECT/ADJUST	REMARKS
1.		Remove F ₀₀₂ (F ₀₀₄).	It is unnecessary to connect load resistance to speaker terminals.
2.		Turn VR ₈₀₃ of left (right) channel fully counterclockwise.	
3.		Turn Power/Speakers Switch to OFF.	
4.	Set to 100mA range.	Connect DC ammeter where F ₀₀₂ (F ₀₀₄) was.	Use DC ammeter with 100mA or 50mA range.
5.		Adjust VR ₈₀₃ of left (right) channel so that DC ammeter indicates 30~40mA.	
6.		Turn Power/Speakers Switch off and replace F ₀₀₂ (F ₀₀₄). Repeat above procedure for right channel (notations in parentheses are for right channel).	

PRINTED CIRCUIT BOARDS AND PARTS LIST

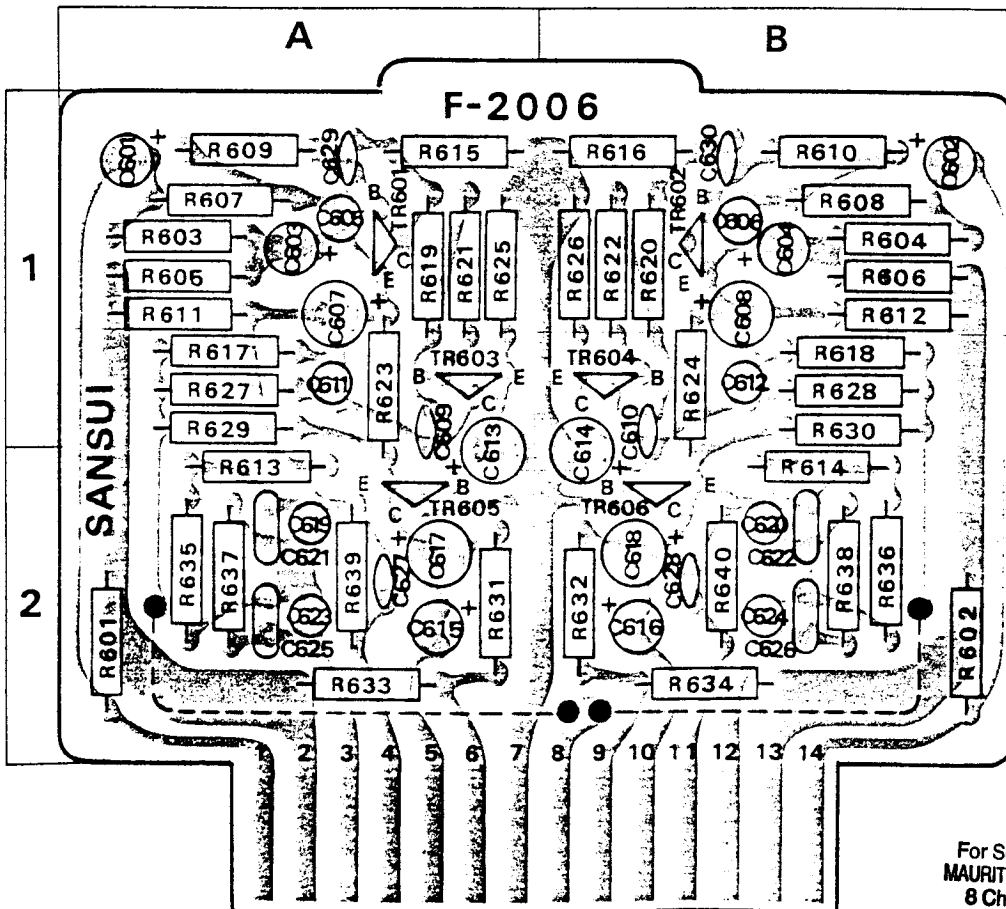
W: Parts No. X: Parts Name Y: Stock No. Z: Position of Parts

EQUALIZER BLOCK <F-2006A>

Stock No. 7550490

W	X	Y	Z
R601	100kΩ	0107104	2 A
R602	100kΩ	0107104	2 B
R603	100kΩ	0107104	1 A
R604	100kΩ	0107104	1 B
R605	47kΩ	0107473	1 A
R606	47kΩ	0107473	1 B
R607	2.2kΩ	0107222	1 A
R608	2.2kΩ	0107222	1 B
R609	220Ω	0107221	1 A
R610	220Ω	0107221	1 B
R611	820Ω	0107821	1 A
R612	820Ω	0107821	1 B
R613	330Ω	0107331	2 A
R614	330Ω	0107331	2 B
R615	22kΩ	0107223	1 A
R616	22kΩ	0107223	1 B
R617	680kΩ	0107684	1 A
R618	680kΩ	0107684	1 B
R619	560Ω	0107561	1 A
R620	560Ω	0107561	1 B

W	X	Y	Z
R621	560Ω	0107561	1 A
R622	560Ω	0107561	1 B
R623	820kΩ	0107824	1 A
R624	820kΩ	0107824	1 B
R625	2.7kΩ	0107272	1 A
R626	2.7kΩ	0107272	1 B
R627	82kΩ	0107823	1 A
R628	82kΩ	0107823	1 B
R629	5.6kΩ	0107562	1 A
R630	5.6kΩ	0107562	1 B
R631	1.5kΩ	0107152	2 A
R632	1.5kΩ	0107152	2 B
R633	100kΩ	0107104	2 A
R634	100kΩ	0107104	2 B
R635	560kΩ	0107564	2 A
R636	560kΩ	0107564	2 B
R637	27kΩ	0107273	2 A
R638	27kΩ	0107273	2 B
R639	33kΩ	0107333	2 A
R640	33kΩ	0107333	2 B



For Service Manuals Contact
MAURITRON TECHNICAL SERVICES
 8 Cherry Tree Rd, Chinnor
 Oxon OX9 4QY
 Tel: 01844-351694 Fax: 01844-352554
 Email: enquiries@mauritron.co.uk

W	X	Y	Z
C601	1 μ F		1 A
C602	1 μ F	50V EC.	1 B
C603	10 μ F		1 A
C604	10 μ F	10V EC.	1 B
C605	150 pF	±10% 50V CC.	1 A
C606	150 pF		1 B
C607	47 μ F		1 A
C608	47 μ F	10V EC.	1 B
C609	10 pF	±0.5pF 50V CC.	1, 2 A
C610	10 pF		1, 2 B
C611	330 pF	± 5% 50V SC.	1 A
C612	330 pF		1 B
C613	47 μ F	6.3V EC.	1, 2 A
C614	47 μ F		1, 2 B
C615	4.7 μ F	50V EC.	2 A
C616	4.7 μ F	50V EC.	2 B
C617	3.3 μ F	50V EC.	2 A
C618	3.3 μ F	50V EC.	2 B
C619	0.0012 μ F	± 5% 50V MC.	2 A
C620	0.0012 μ F		2 B
C621	0.08 μ F	± 5% 50V SC.	2 A
C622	0.08 μ F		2 B
C623	470 pF	± 5% 50V SC.	2 A
C624	470 pF		2 B
C625	0.0022 μ F	± 5% 50V MC.	2 A
C626	0.0022 μ F		2 B
C629	47 pF	±10% 50V CC.	1 A
C630	47 pF		1 B
TR601	} 2SA726R (F, G)	0300410, 1	1 A
TR602		0300410, 1	1 B
TR603	} 2SC1313R (F, G)	0306070, 1	1 A
TR604		0306070, 1	1 B
TR605	} 2SA561 (Y, GR)	0300101, 2	1 A
TR606		0300101, 2	2 B
F-2006 Printed Circuit Board		2550360	

For Service Manuals Contact
MAURITRON TECHNICAL SERVICES
8 Cherry Tree Rd, Chinnor
Oxon OX9 4QY
Tel: 01844-351694 Fax: 01844-352554
Email: enquiries@mauritron.co.uk

*Please contact the nearest Sansui Authorized Service Station for replacement parts. When ordering them, look up the part lists on pages 23 to 34 and let us know (1) the amplifier's model number, (2) name of the printed circuit board, (3) part No., (4) name of the part, and (5) its stock No. Using non-standard parts for temporary relief often impairs the sound quality and over-all reliability of the amplifier. Please take the trouble to contact your nearest Sansui Authorized Service Station.

*Abbreviations

CR : Carbon Resistor
SR : Solid Resistor
CeR : Cement Resistor
CC : Ceramic Capacitor
EC : Electrolytic Capacitor
MC : Mylar Capacitor
SC : Polystyrene Capacitor
TC : Tantalum Capacitor

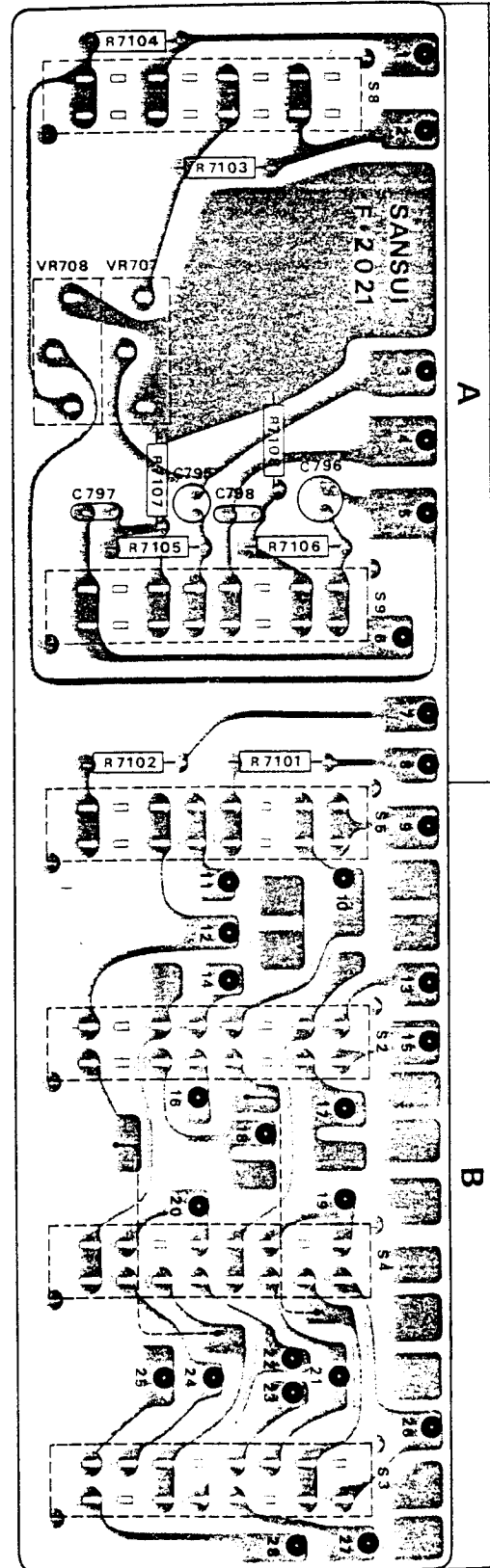
PRINTED CIRCUIT BOARDS AND PARTS LIST

W: Parts No. X: Parts Name Y: Stock No. Z: Position of Prrts

SWITCH BLOCK <F-2021>

Stock No. 7591310

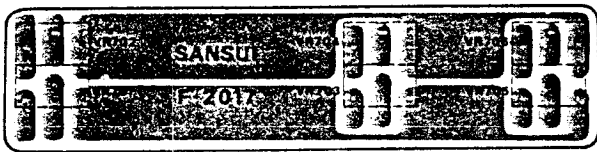
W	X	Y	Z
R7101	12k Ω	0107123	A
R7102	12k Ω	0107123	A
R7103	680k Ω	0107684	A
R7104	680k Ω	0107684	A
R7107	22k Ω	0107223	A
R7108	22k Ω	0107223	A
VR707	250k Ω (M, N) BALANCE	1010870	A
VR708			A
C795	390pF \pm 5% 50V SC.	0620391	A
C796			A
C797	0.02 μ F \pm 10% 50V MC.	0601207	A
C798			A
S2	N.R. Adaptor Switch	1170300	B
S3	Tape-to-Tape Reprint Switch	1170290	B
S4	Tape Monitor Switch	1170290	B
S5	4-CH Adaptor Switch	1170300	B
S8	Muting Switch	1170270	A
S9	Loudness Switch	1170270	A
F-2021 Printed Circuit Board		2591290	



LEVEL ADJUSTOR BLOCK <F-2017>

Stock No. 7591360

W	X	Y
VR701 VR702	200kΩ (B) × 2 AUX Level Adj.	1015060
VR703 VR704	250kΩ (B) × 2 PLAY BACK 1 Level Adj.	1015060
VR705 VR706	250kΩ (B) × 2 PLAY BACK 2 Level Adj.	1015060
F-2017 Printed Circuit Board		2591340

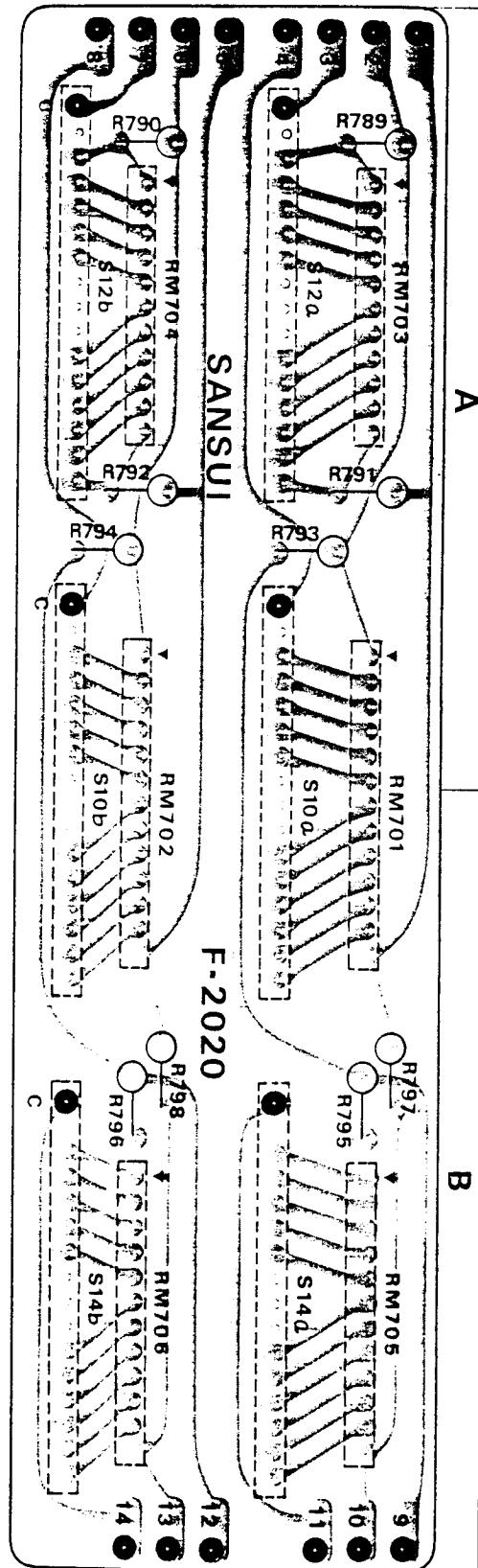


For Service Manuals Contact
MAURITRON TECHNICAL SERVICES
 8 Cherry Tree Rd, Chinnor
 Oxon OX9 4QY
 Tel:- 01844-351694 Fax:- 01844-352554
 Email:- enquiries@mauritron.co.uk

TONE SWITCH BLOCK <F-2020>

Stock No. 7591320

W	X	Y	Z
R789	1.2kΩ } ± 5% 1/4W CR.	0106122	A
R790		0106122	A
R791		0106152	A
R792		0106152	A
R793		0106103	A
R794		0106103	A
R795		0106272	B
R796		0106272	B
R797		0106103	B
R798		0106103	B
RM701	RM1205 Module Resistor	0800260	A, B
RM702		0800260	A, B
RM703	RM1006 Module Resistor	0800250	A
RM704		0800250	A
RM705	RM1104 Module Resistor	0800240	B
RM706		0800240	B
S10	Midrange Control	1102470	A, B
S12	Treble Control	1102470	A
S14	Bass Control	1102470	B
F-2020 Printed Circuit Board		2591300	



PRINTED CIRCUIT BOARDS AND PARTS LIST

W: Parts No. X: Parts Name Y: Stock No. Z: Position of Prrts

TONE CONTROL BLOCK <F-2019>

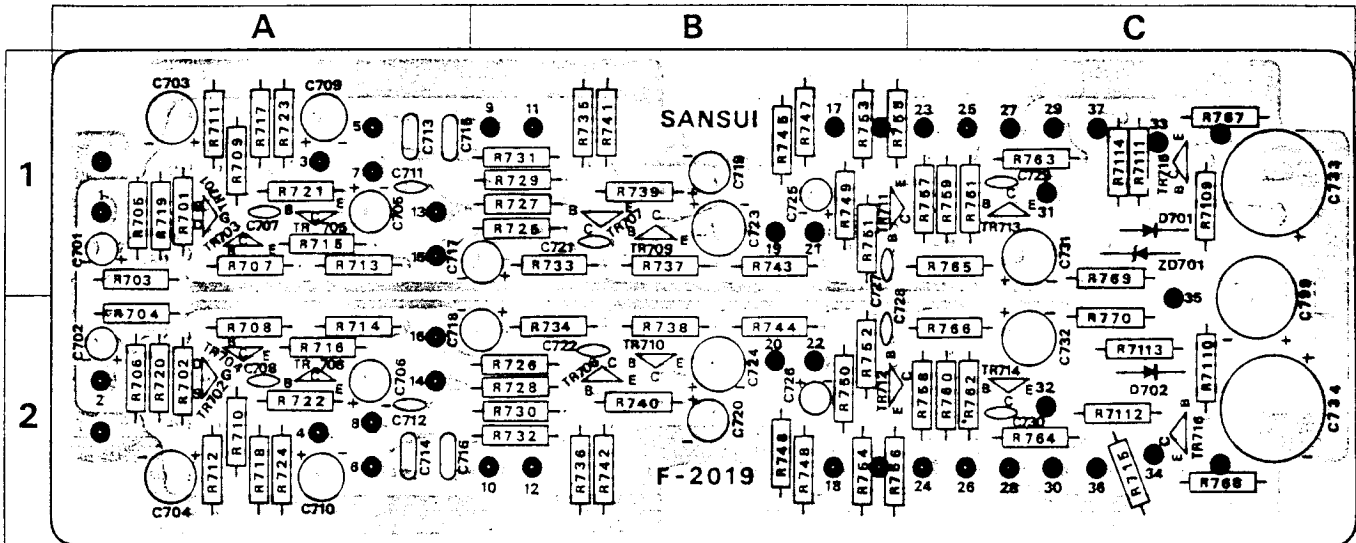
Stock No. 7560610

W	X	Y	Z
R701	1kΩ	0107102	1A
R702	1kΩ	0107102	2A
R703	100kΩ	0107104	1A
R704	100kΩ	0107104	2A
R705	47kΩ	0107473	1A
R706	47kΩ	0107473	2A
R707	10kΩ	0107103	1A
R708	10kΩ	0107103	2A
R709	1kΩ	0107102	1A
R710	1kΩ	0107102	2A
R711	8.2kΩ	0107822	1A
R712	8.2kΩ	0107822	2A
R713	3.3kΩ	0107332	1A
R714	3.3kΩ	0107332	2A
R715	10Ω	0107100	1A
R716	10Ω	0107100	2A
R717	47kΩ	0107473	1A
R718	47kΩ	0107473	2A
R719	1MΩ	0107105	1A
R720	1MΩ	0107105	2A
R721	10kΩ	0107103	1A
R722	10kΩ	0107103	2A
R723	8.2kΩ	0107822	1A
R724	8.2kΩ	0107822	2A
R725	18kΩ	0107183	1B
R726	18kΩ	0107183	2B
R727	2.7kΩ	0107272	1B
R728	2.7kΩ	0107272	2B
R729	8.2kΩ	0107822	1B
R730	8.2kΩ	0107822	2B
R733	820kΩ	0107824	1B
R734	820kΩ	0107824	2B
R735	150kΩ	0107154	1B
R736	150kΩ	0107154	2B
R737	12kΩ	0107123	1B
R738	12kΩ	0107123	2B
R739	120Ω	0107121	1B
R740	120Ω	0107121	2B
R741	3.3kΩ	0107332	1B
R742	3.3kΩ	0107332	2B
R743	3.3kΩ	0107332	1B
R744	3.3kΩ	0107332	2B
R745	120kΩ	0107124	1B
R746	120kΩ	0107124	2B
R747	470kΩ	0107474	1B
R748	470kΩ	0107474	2B
R749	1kΩ	0107102	1B
R750	1kΩ	0107102	2B
R751	820kΩ	0107564	1B
R752	820kΩ	0107564	2B
R753	1MkΩ	0107684	1B
R754	1MkΩ	0107684	2B
R755	68kΩ	0107683	1B
R756	68kΩ	0107683	2B
R757	82kΩ	0107823	1C
R758	82kΩ	0107823	2C

W	X	Y	Z
R759	3.9kΩ	0107392	1C
R760	3.9kΩ	0107392	2C
R761	10kΩ	0107033	1C
R762	10kΩ	0107033	2C
R763	220Ω	0107221	1C
R764	220Ω	0107221	2C
R765	8.2kΩ	0107822	1C
R766	8.2kΩ	0107822	2C
R767	120kΩ	0107124	1C
R768	120kΩ	0107124	2C
R769	820Ω	0103821	1C
R770	820Ω	0103821	2C
R7109	10kΩ	0107103	1C
R7110	10kΩ	0107103	2C
R7113	82kΩ	0107823	2C
R7114	56kΩ	0107564	1C
C701	0.47μF	0573478	1A
C702	0.47μF	0573478	2A
C703	47μF	0512470	1A
C704	47μF	0512470	2A
C705	47μF	0510470	1A
C706	47μF	0510470	2A
C707	10pF	0660100	1A
C708	10pF	0660100	2A
C709	4.7μF	0519106	1A
C710	4.7μF	0519106	2A
C711	2.2μF	0519105	1A, B
C718	2.2μF	0519105	2A, B
C719	47μF	0510470	2B
C720	47μF	0510470	2B
C721	10pF	0660100	1B
C722	10pF	0660100	2B
C723	4.7μF	0519106	1B
C724	4.7μF	0519106	2B
C725	0.47μF	0573478	1B
C726	0.47μF	0573478	2B
C727	22pF	0660220	1B
C728	22pF	0660220	2B
C729	47pF	0660470	1C
C730	47pF	0660470	2C
C731	4.7μF	0519106	1C
C732	4.7μF	0519106	2C
C733	220μF	0514221	1C
C734	220μF	0514221	2C
C799	220μF	0513221	1, 2C
TR701	2SK30 (Y)	0370102	1A
TR702		0370102	2A
TR703	2SA726R (F, G)	0300410, 1	1A
TR704		0300410, 1	2A
TR705	2SC1313R (F, G)	0306070, 1	1A
TR706		0306070, 1	2A
TR707		0306070, 1	1B
TR708		0306070, 1	2B

W	X	Y	Z
TR709	2SA726R (E. G)	0300410. 1	1 B
TR710		0300410. 1	2 B
TR711	2SA1313R (F. G)	0306070. 1	2 B
TR712		0306070. 1	2 B
TR713	2SA726R (E. G)	0300410. 1	1 C
TR714		0300410. 1	2 C
TR715	2SC634A	0305891. 2	1 C
TR716		0305891. 2	2 C
D701	IS953	0311050	1 C
ZD701	RD11A (M)	0315260	1 C
F-2019 Printed Circuit Board		2560560	

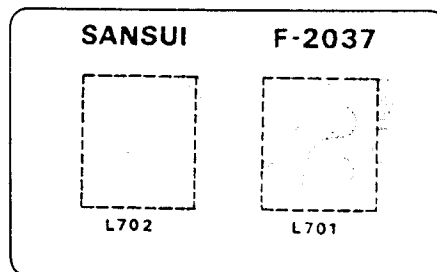
For Service Manuals Contact
MAURITRON TECHNICAL SERVICES
 8 Cherry Tree Rd, Chinnor
 Oxon OX9 4QY
 Tel:- 01844-351694 Fax:- 01844-352554
 Email:- enquiries@mauritron.co.uk



CHOKE TRANSFORMER BLOCK
 <F-2037>

Stock No. 7591330

W	X	Y
L701	0.8H Choke Transformer	4010060
L702		4010060
F-2037 Printed Circuit Board		2591310



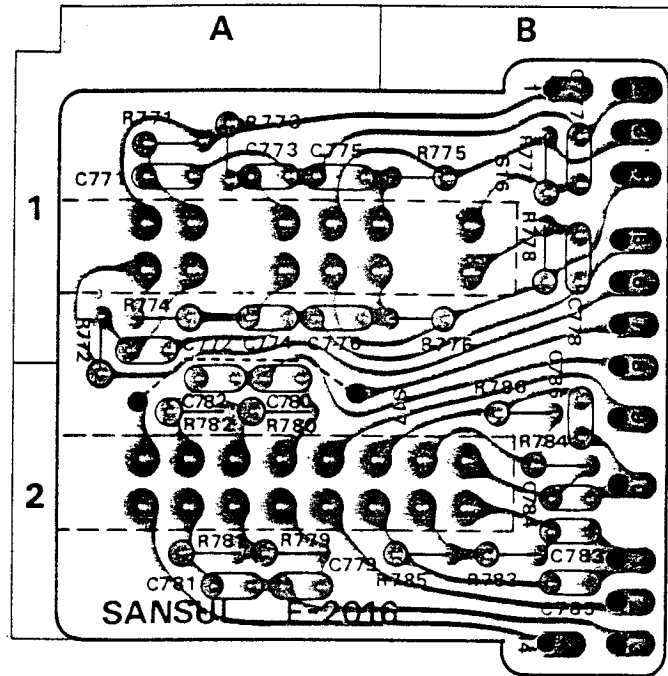
PRINTED CIRCUIT BOARDS AND PARTS LIST

W: Parts No. X: Parts Name Y: Stock No. Z: Position of Parts

FILTER BLOCK <F-2016>

Stock No. 7591340

W	X	Y	Z
R771	1M Ω	0106105	1 A
R772	1M Ω	0106105	1, 2 A
R773	1M Ω	0106105	1 A
R774	1M Ω	0106105	1 A
R775	1M Ω	0106105	1 B
R776	1M Ω	0106105	1 B
R777	1M Ω	0106105	1 B
R778	1M Ω	0106105	1 B
R779	1M Ω	0106105	2 A
R780	1M Ω	0106105	2 A
R781	1M Ω	0106105	2 A
R782	1M Ω	0106105	2 A
R783	1M Ω	0106105	2 B
R784	1M Ω	0106105	2 B
R785	1M Ω	0106105	2 B
R786	1M Ω	0106105	2 B
C771	0.043 μ F	0600437	1 A
C772	0.043 μ F	0600437	2 A
C773	0.02 μ F	0600207	1 A
C774	0.02 μ F	0600207	1 A
C775	0.015 μ F	0600157	1 A
C776	0.015 μ F	0600157	1 A
C777	0.008 μ F	0600806	1 B
C778	0.008 μ F	0600806	1 B
C779	0.0047 μ F	0600476	2 A
C780	0.0047 μ F	0600476	2 A
C781	0.0022 μ F	0600226	2 A
C782	0.0022 μ F	0600226	2 A
C783	0.002 μ F	0600206	2 B
C784	0.002 μ F	0600206	2 B
C785	0.001 μ F	0600106	2 B
C786	0.001 μ F	0600106	1, 2 B
S16	Low Filter Switch	1170280	1 B
S17	High Filter Switch	1170280	2 B
	F-2016 Printed Circuit Board	2591320	



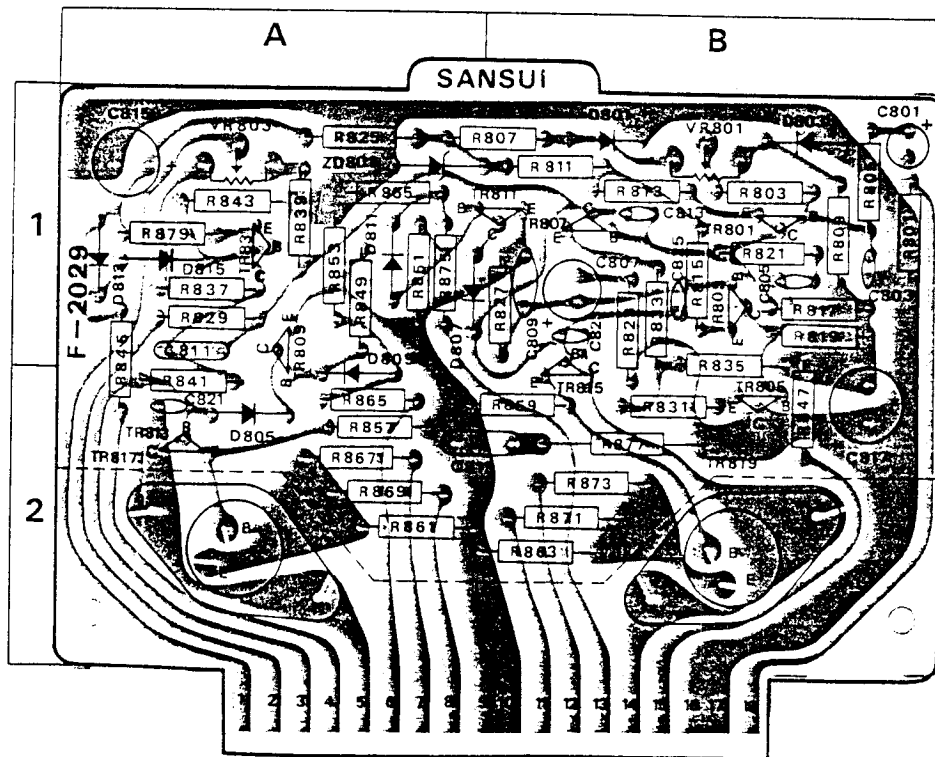
DRIVER BLOCK <F-2029>

Stock No. 7570690

W	X	Y	Z
R801	82k Ω	0107823	1 B
R803	100k Ω	0107104	1 B
R805	10k Ω	0107103	1 B
R807	8.2k Ω	0107822	1 A, B
R809	47k Ω	0107473	1 B
R811	4.7k Ω	0107472	1 B
R813	100 Ω	0107101	1 B
R815	100 Ω	0107101	1 B
R817	6.8k Ω	0107682	1 B
R819	6.8k Ω	0107682	1 B
R821	220 Ω	0107221	1 B
R823	1k Ω	0107102	1 B
R825	5.6k Ω	0103562	1 A
R827	33k Ω	0107333	1 B
R829	82k Ω	0107820	1 A
R831	33 Ω	0107330	2 B
R833	33 Ω	0107330	1 B
R835	470 Ω	0103471	1, 2 B
R837	1k Ω	0107102	1 A
R839	270 Ω	0107271	1 A
R841	56 Ω	0107560	2 A
R843	47k Ω	0107473	1 A
R845	330 Ω	0107331	1, 2 A
R847	330 Ω	0107331	1, 2 B

W	X	Y	Z
R849	56Ω	0107560	1 A
R851	56Ω	0107560	1 A
R853	33kΩ	0107333	1 A
R855	33kΩ	0107333	1 A
R857	560Ω	0107561	2 A
R859	560Ω	0107561	2 A, B
R861	220Ω	0103221	2 A
R863	220Ω	0103221	2 B
R865	4.7Ω	0107479	2 A
R867	10Ω	0103100	2 A
R869	10Ω	0103100	2 A
R871	10Ω	0103100	2 B
R873	10Ω	0103100	2 B
R875	4.7Ω	0107479	1 A
R877	10Ω	0132100	2 B
R879	120Ω	0107121	1 A
VR801	5kΩ (B) AC Balance Adj.	0131092	1 B
VR802	1kΩ (B) DC Bias Adj.	0131052	1 B
C801	2.2μF 50V EC.	0519105	1 B
C803	33pF ±10% 50V CC.	0660330	1 B
C805	470pF ±10% 50V CC.	0660471	1 B
C807	220μF ±30% 6.3V EC.	0510221	1 B
C809	5pF ±0.5pF 50V CC.	0660509	1 B
C811	0.1μF ±10% 50V MC.	0601108	1 A
C813	22pF ±10% 50V CC.	0660220	1 B

W	X	Y	Z
C815	47μF	0519470	1 A
C817	47μF	0519470	2 B
C819	0.047μF ±10% 50V MC.	0601477	2 A, B
C821	33pF	0660330	2 A
C823	33pF ±10% 50V CC.	0660430	1 B
TR801	2SA726W (F, G)	0300470, 1	1 B
TR803		0300470, 1	1 B
TR805	2SC983 (O, Y)	0306020, 1	2 B
TR807		0306020, 1	1 B
TR809	2SC735 (O, Y)	0305640, 1	1, 2 A
TR811	2SA562 (O, Y)	0300220, 1	1 A, B
TR813	2SC1124 (2, 3)	0305901, 2	2 A
TR815	2SA706GR (2, 3)	0300480, 1	1, 2 B
TR817	2SC783 (R, O)	0306020, 1	2 A
TR819	2SA483 (R, O)	0300500, 1	2 B
TR831	2SA706GR (2, 3)	0300480, 1	1 A
D801	1S953	0311050	1 B
D803		0311050	1 A
D805		0311050	1 A
D807		0311050	1 A
D809		0311050	1 A
D811		0311050	1 A
ZD801	RD9A (M)	0315120	1 A
F-2029 Printed Circuit Board			2570470



PRINTED CIRCUIT BOARDS AND PARTS LIST

W: Parts No. X: Parts Name Y: Stock No. Z: Position of Parts

POWER TRANSISTOR SOCKET BLOCK <F-2050>

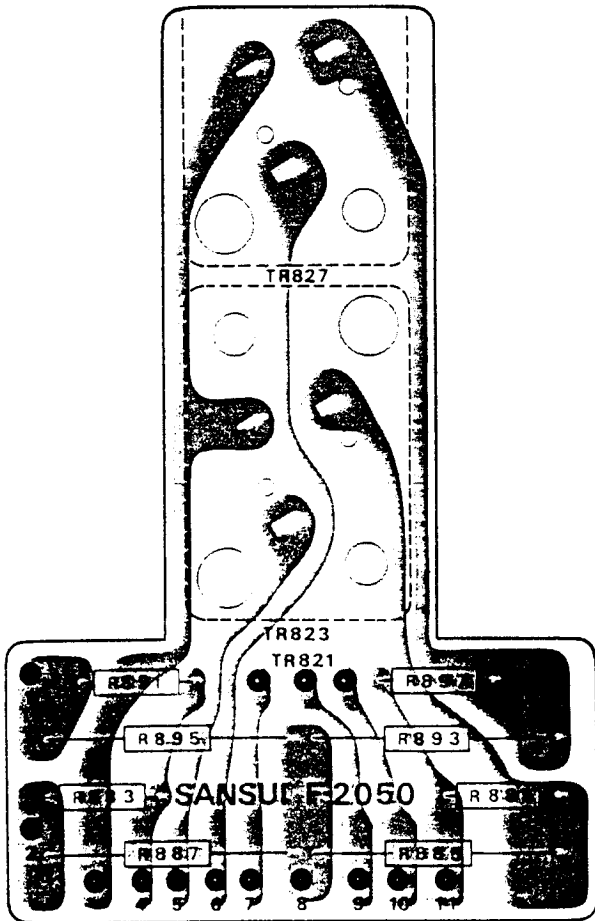
Stock No. 7591350

W	X	Y
R881	150Ω	± 5% ¼W CR.
R883	150Ω	
R885	0.47Ω	± 10% 5W CeR.
R887	0.47Ω	
R891	150Ω	± 5% ¼W CR.
R893	0.47Ω	± 10% 5W CeR.
R895	0.47Ω	
R897	150Ω	± 5% ¼W CR.
TR821	2SC984 (C) Power Transistor Socket (Big) F-2050 Printed Circuit Board	0305872 2030020 2591330

POWER SUPPLY & PROTECTOR BLOCK <F-2030>

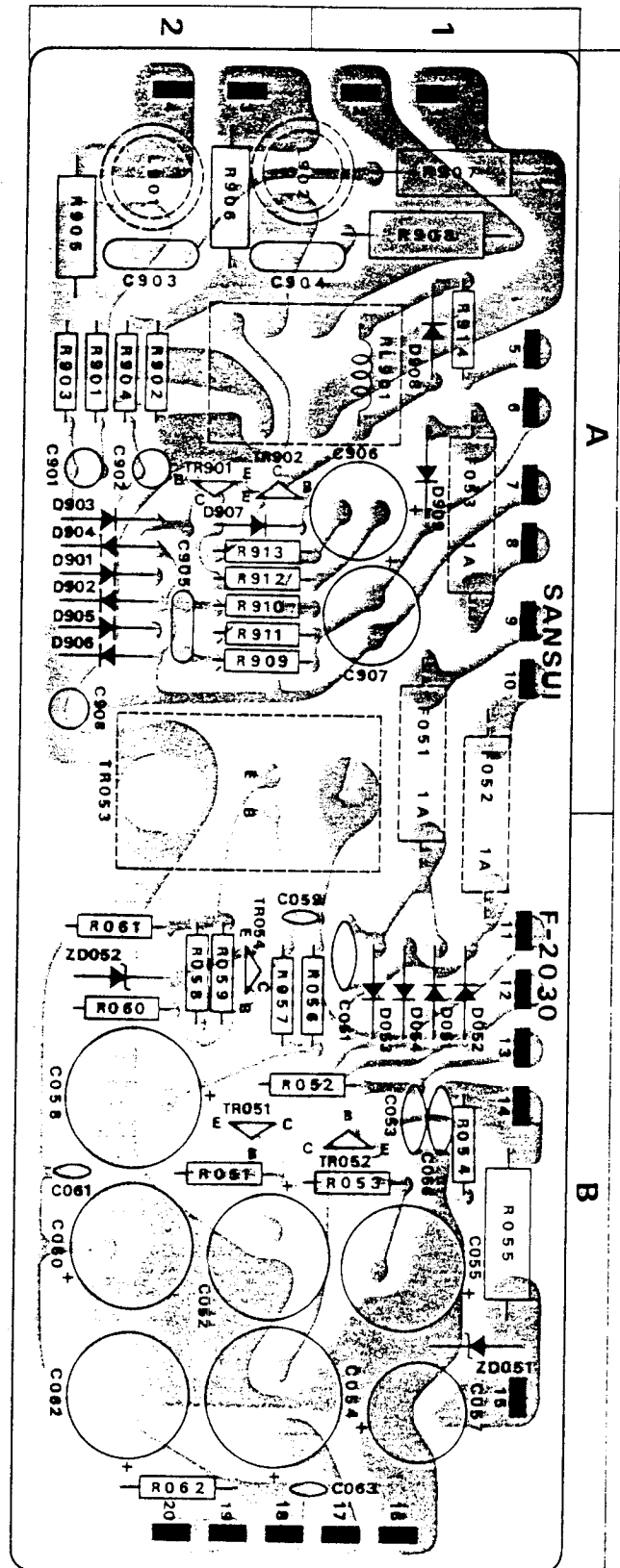
Stock No. 7500740

W	X	Y	Z	
R051	10kΩ	± 5% ¼W CR.	0107103 2 B	
R052	68Ω		0107680 1, 2 B	
R053	10kΩ	± 5% ¼W CR.	0107103 1 B	
R054	68Ω		0107680 1 B	
R055	3.3kΩ	± 5% 2W CR.	0105332 1 B	
R056	2.2kΩ	± 5% ¼W CR.	0107222 1 B	
R057	3.3kΩ		0107332 2 B	
R058	68kΩ	± 5% ¼W CR.	0107683 2 B	
R059	5.6kΩ		0107562 2 B	
R060	4.7kΩ	± 5% ½W CR.	0107472 2 B	
R061	68Ω		0107680 2 B	
R062	470Ω	± 5% ¼W CR.	0103471 2 B	
R901	4.7kΩ		0107472 2 A	
R902	4.7kΩ	± 5% ¼W CR.	0107472 2 A	
R903	47kΩ		0107473 2 A	
R904	47kΩ	± 5% 1W CR.	0107473 2 A	
R905	4.7Ω		0104479 2 A	
R906	4.7Ω	± 5% ¼W CR.	0104479 2 A	
R909	390kΩ		0107394 2 A	
R910	220kΩ	± 5% ¼W CR.	0107224 2 A	
R911	68kΩ		0107683 2 A	
R912	22Ω	± 5% ¼W CR.	0107220 2 A	
R913	10Ω		0107100 2 A	
R914	10Ω	± 80% -20%	0107100 1 A	
C051	0.01μF		500V CC.	0659011 1 B
C052	100μF	75V EC.	0519101 1, 2 B	
C053	0.01μF	± 80% -20%	500V CC.	0659011 1 B
C054	220μF	75V EC.	0519302 1, 2 B	
C055	100μF		0519101 1 B	
C056	0.01μF	± 80% -20%	500V CC.	0659011 1 B
C057	470μF	16V EC.	0512471 1 B	
C058	220μF	75V EC.	0519302 2 B	
C059	0.001μF	± 80% -20%	50V CC.	0660106 1, 2 B
C060	220μF	50V EC.	0515221 2 B	
C061	0.01μF	± 80% -20%	50V CC.	0660107 2 B
C062	220μF	50V EC.	0515221 2 B	
C063	0.01μF	± 80% -20%	50V CC.	0660107 1 B
C901	47μF	10V EC.	0531470 2 A	
C902	47μF		0531470 2 A	
C905	0.33μF	± 10%	50V MC.	0601338 2 A
C906	1000μF	6.3V EC.	0510102 1 A	
C907	100μF	50V EC.	0515101 1 A	
C908	1μF		0535109 2 A	
TR051	2SC1124 (2, 3)		0305901, 2 2 B	
TR052	2SA706Y (2, 3)		0300391, 2 1 B	
TR053	2SC680BL (B, C)		0305621, 2 1, 2 A B	
TR054	2SC734 (O, Y)		0305360, 1 2 B	
TR901	2SC634A (6, 7)		0305891, 2 2 A	
TR902	2SC634A (6, 7)		0305891, 2 1, 2 A	
D051	F14C		0311200 1 B	
D052		0311200 1 B		
D053		0311200 1 B		
D054		0311200 1 B		



W	X	Y	Z
D901	1N34A	0310401	2 A
D902		0310401	2 A
D903		0310401	2 A
D904		0310401	2 A
D905		0310401	2 A
D906		0310401	2 A
D907	1S953	0311050	2 A
D908	F14A	0310940	1 A
D909		0310940	1 A
ZD051	RD9A (M)	0315220	1 B
ZD052	IN721A	0315150	2 B
RL901	DC24V MY-2 Relay	1150250	1, 2 A
L901	1.5 μ H	4210290	1 A
L902		4210290	1, 2 A
F051	250V 1A Fuse W/ Leads	0431820	1 A, B
F052		0431820	1 A, B
F053		0431820	1 A
	F-2030 Printed Circuit Board	2500620	

For Service Manuals Contact
MAURITRON TECHNICAL SERVICES
 8 Cherry Tree Rd, Chinnor
 Oxon OX9 4QY
 Tel:- 01844-351694 Fax:- 01844-352554
 Email:- enquiries@mauritron.co.uk



OTHER PARTS AND THEIR POSITION ON CHASSIS

W: Parts No. X: Parts Name Y: Stock No. Z: Position of Prrts

OTHER PARTS

W	X	Y
R001	8.2k Ω } $\pm 5\%$ 2W CR.	0105822
R002		0105822
R003		0105822
R004		0105822
R651	56k Ω }	0107563
R652		0107563
R653	47k Ω	0107473
R654	47k Ω	0107473
R655	100k Ω	0107104
R656	100k Ω	0107104
R657	100k Ω } $\pm 5\%$ $\frac{1}{4}$ W CR.	0107104
R658		0107104
R659		0107104
R660		0107104
R661	220k Ω	0107224
R662	220k Ω	0107224
R731	3.3k Ω	0107332
R732	3.3k Ω	0107332
R875	470 Ω } $\pm 10\%$ 2W CeR.	0152471
R876		0152471
R877		0152471
R878		0152471
R7107	1M Ω	0107105
R7108	1M Ω	0107105
R7109	1M Ω } $\pm 5\%$ $\frac{1}{4}$ W CR.	0107105
R7110		0107105
VR706	250k Ω (B) $\times 2$ Volume Control	1010580
VR710		1010580
C001	0.047 μ F $\pm 20\%$ 250V MC.	0605477
C002	0.01 μ F	0659011
C003	0.01 μ F $\pm 80\%$ 500V CC.	0659011
C004	0.01 μ F -20%	0659011
C005	0.01 μ F	0659011
C006	4700 μ F	0559507
C007	4700 μ F	0559507
C008	4700 μ F	0559507
C009	4700 μ F	0559507
C010	0.01 μ F	0659011
C011	0.01 μ F $\pm 80\%$ 500V CC.	0659011
C012	0.01 μ F -20%	0659011
C013	0.01 μ F	0659011
C014	1000 μ F 80V EC.	0559839
C015	0.047 μ F $\pm 80\%$ 50V CC.	0657473
C016	0.047 μ F $\times 4$ 50V CC.	0800121
C741	0.022 μ F	0601227
C742	0.022 μ F	0601227
C743	0.01 μ F	0601107
C744	0.01 μ F	0601107
C745	0.004 μ F	0601406
C746	0.004 μ F	0601406
C747	0.003 μ F $\pm 10\%$ 50V MC.	0601306
C748	0.003 μ F	0601306
C749	0.0022 μ F	0601226
C750	0.0022 μ F	0601226
C751	0.0033 μ F	0601336
C752	0.0033 μ F	0601336

W	X	Y	
C753	0.1 μ F } $\pm 10\%$ 50V MC.	0601108	
C754		0.1 μ F	0601108
C755		0.1 μ F	0601108
C756		0.1 μ F	0601108
C757		0.06 μ F	0601607
C758		0.06 μ F	0601607
C759		0.1 μ F	0601108
C760		0.1 μ F	0601108
C761		0.1 μ F	0601108
C762		0.1 μ F	0601108
C763		0.06 μ F	0601607
C764		0.06 μ F	0601607
TR823		2SC1079 (R, Y)	0305780, 1
TR825		2SA679 (R, Y)	0300490, 1
TR827	2SC1079 (R, Y)	0305780, 1	
TR829	2SC679 (R, Y)	0300490, 1	
	Power Transistor Socket (Big)	2030020	
D001	5B4	0311170	
D002		0311170	
S1	Selector Control Y-4-8-5	1104270, 1	
S6	PHONO-2 Pickup Load Switch	1110110	
S7	Mode Switch	1101191	
S11	Midrange Tone Selector F-1-2-4	1101490, 1	
S13	Treble Tone Selector F-1-2-4	1101490, 1	
S15	Bass Tone Selector F-2-2-4	1102450, 1	
S18	Power/Speakers Switch	1102460	
J601	MIC Jack	2430160	
J602		2430160	
J801	Headphone Jack w/o Switch	2430220	
J802	Headphone Jack w/ Switch	2430230	
PU601	DIN Socket	2430040	
T001	Power Transformer	4001250	
CO001	AC Outlet } (UNSWITCHED)	2450040	
CO002		2450040	
CO003		2450040	
CO004		2450040	
F001	6A (100~127V) } Power Fuse	0431290	
	4A (220~250V)		
	Power Fuse Holder	2300060	
F002	7A Quick-Acting Fuse	0433302	
F003		0433302	
F004		0433302	
F005		0433302	
		Quick-Acting Fuse Holder ($\times 4$)	2300020
F006	250V 1A Fuse W/ Leads	0431830	
PL001	Power Indicator (6.3V 0.25A)	0400090	
	Power Indicator Socket	2320080	
	14P Multi-Connector	2420040	
	18P Multi-Connector	2020020	
	Lug Board	2110010	
	Power Cord	3800070	
PU001	Voltage Selector		
	Main Plug	2410180	
	Sub Plug	2410190	
	Socket	2410170	

* Design and specifications subject to change without notice for improvements.

